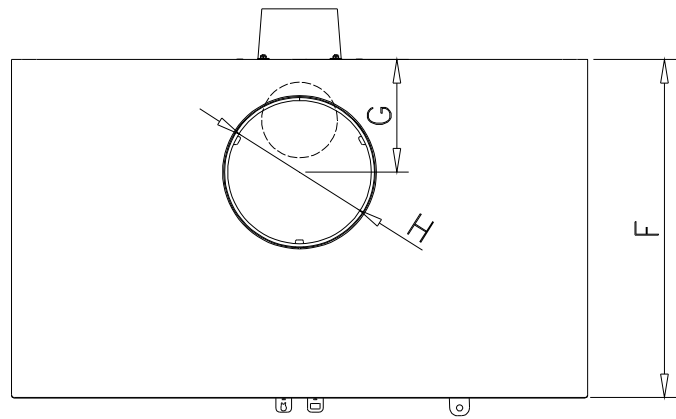
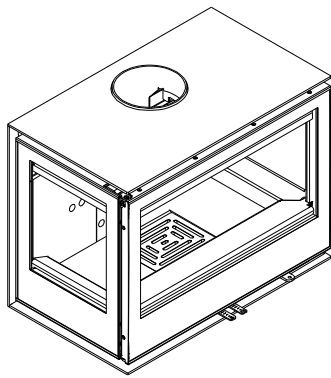
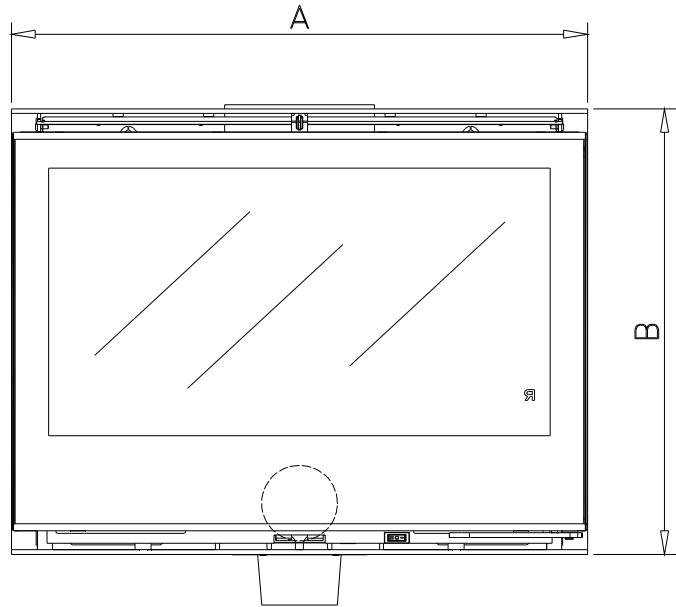
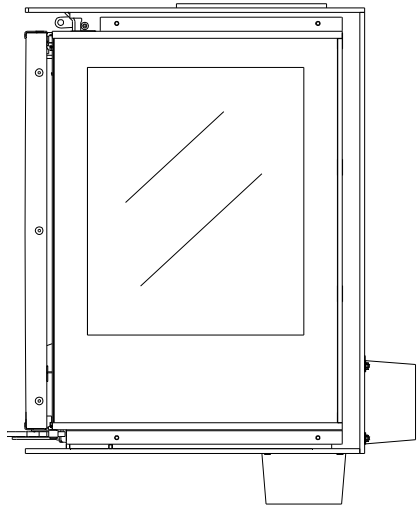


ANEXO/ANNEX/ANNEXE/ANESSO

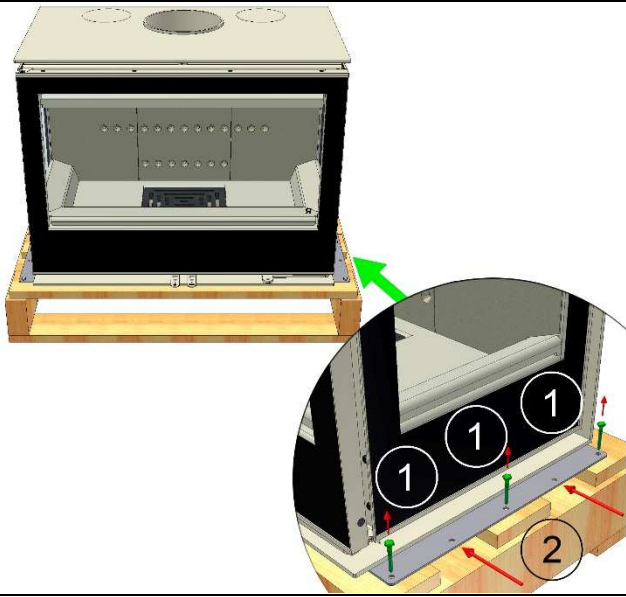
I



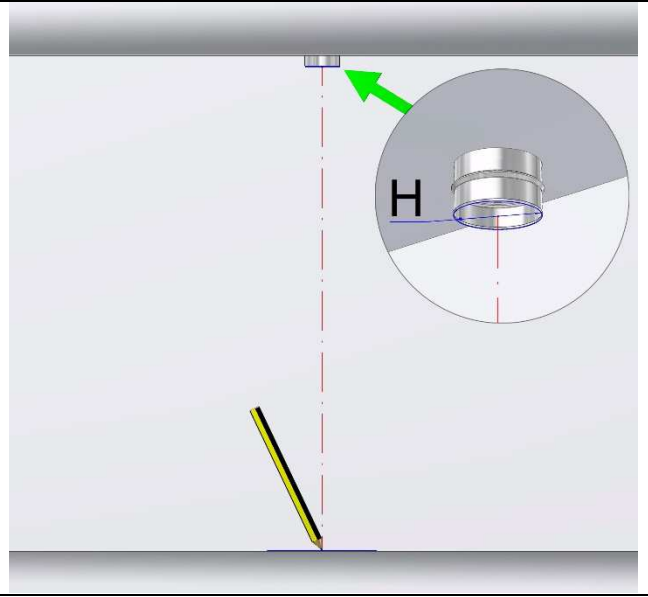
mm	Habit 73 TC +T	Habit 93 TC +T
A	730	930
B	567	592
F	430	430
G	143	143
H	180	180

III

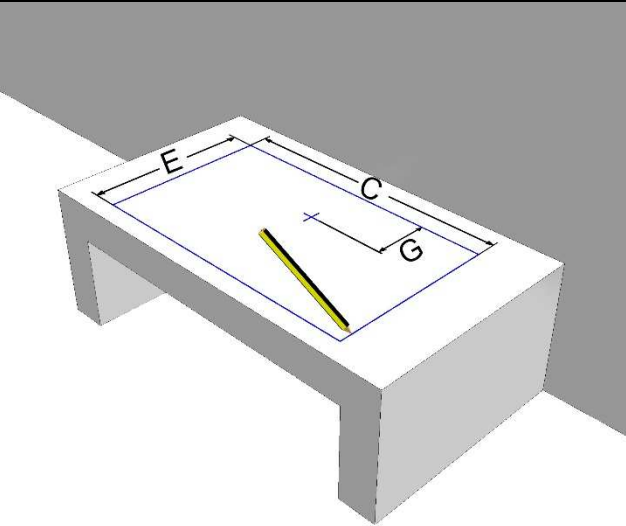
1



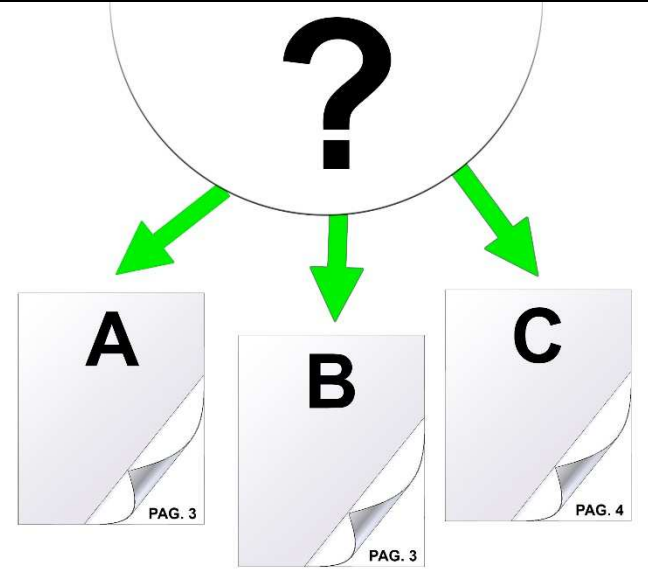
2



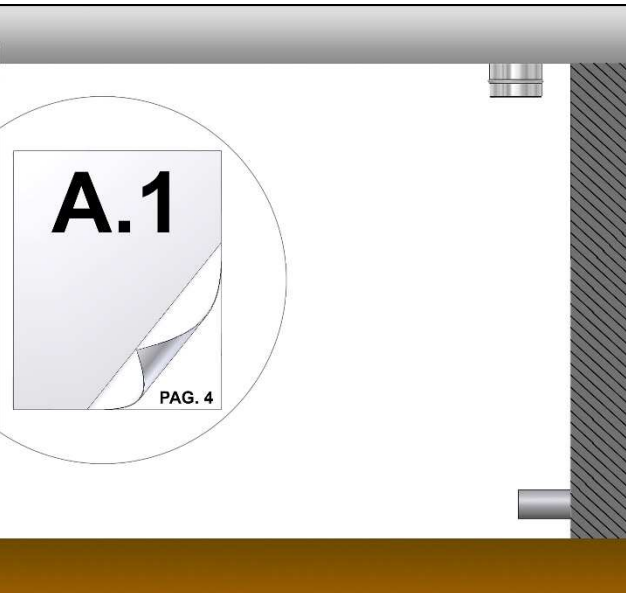
3



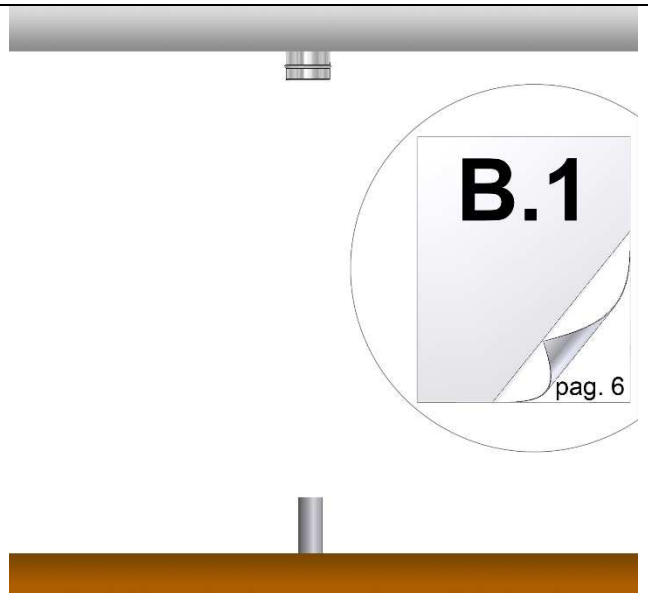
4



A

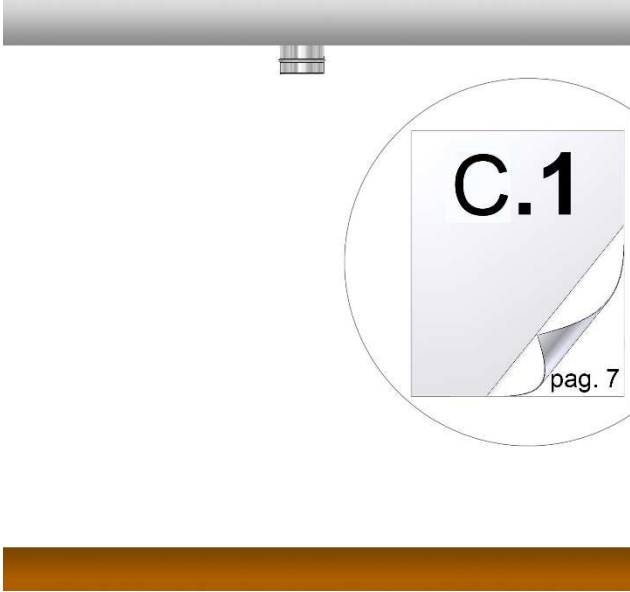


B

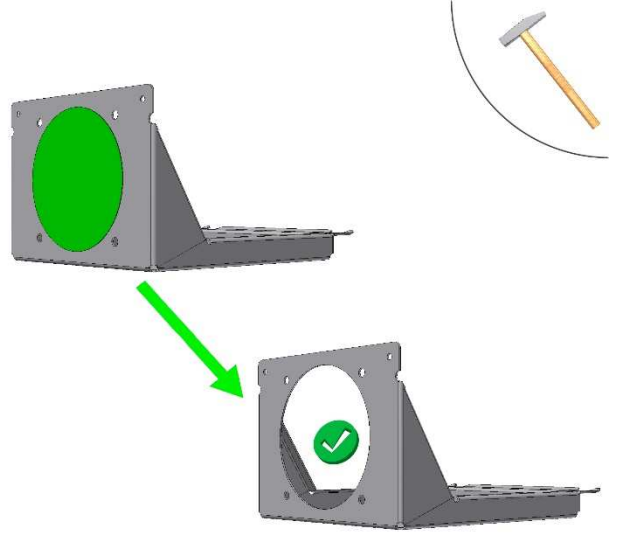


III

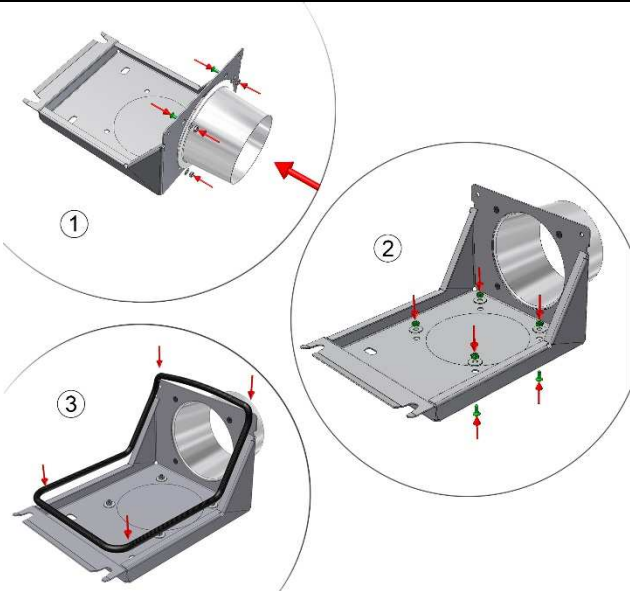
C



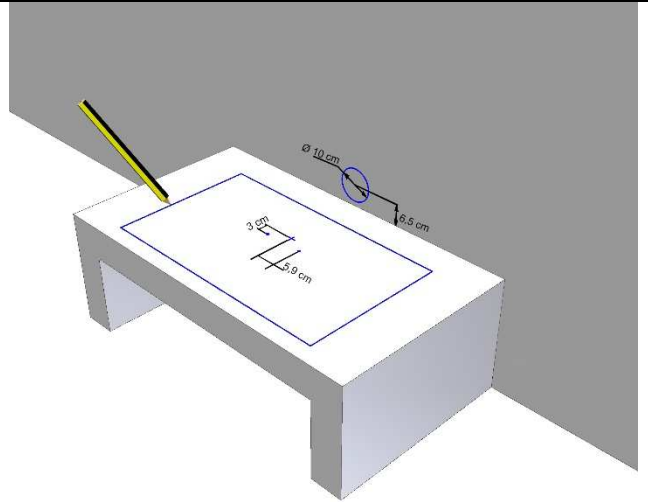
A.1



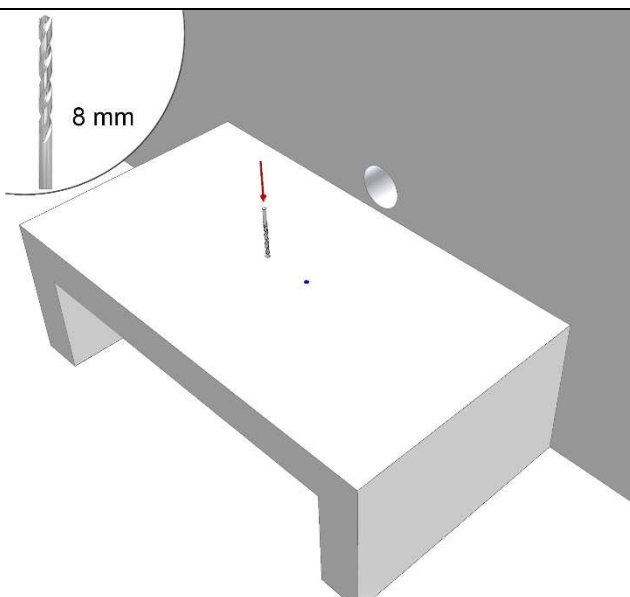
A.2



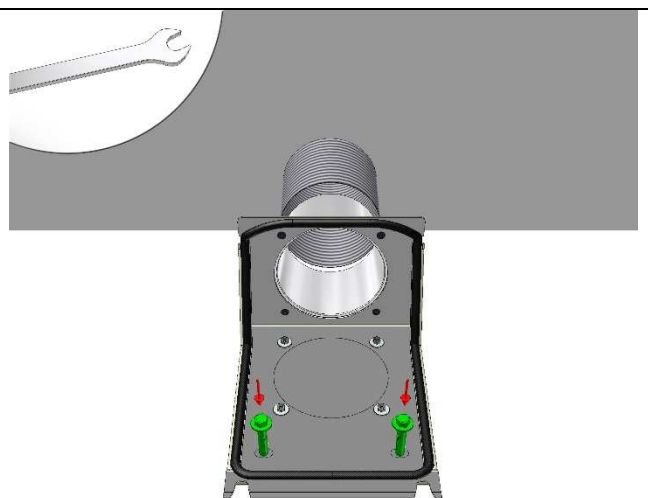
A.3



A.4

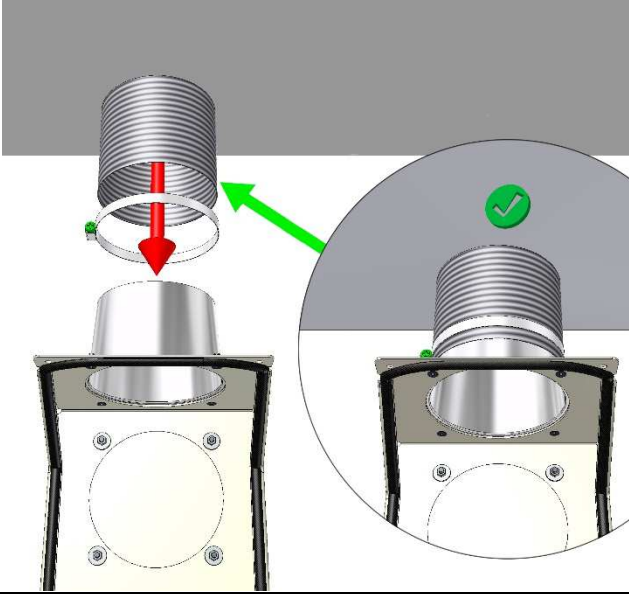


A.5

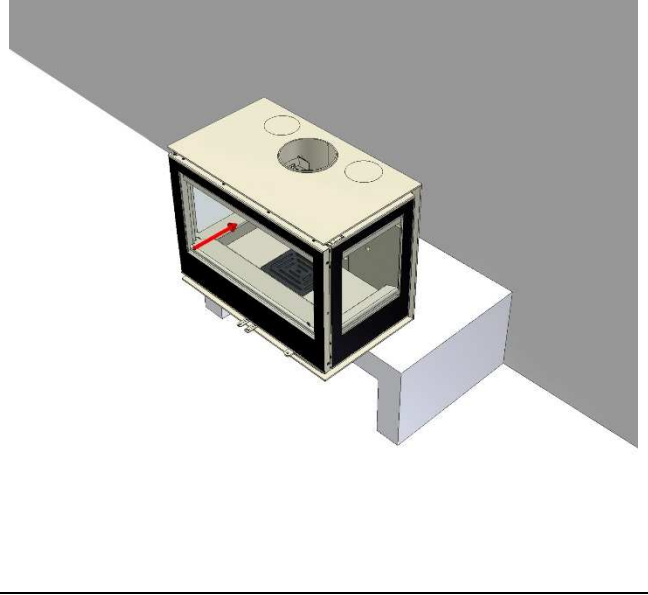


III

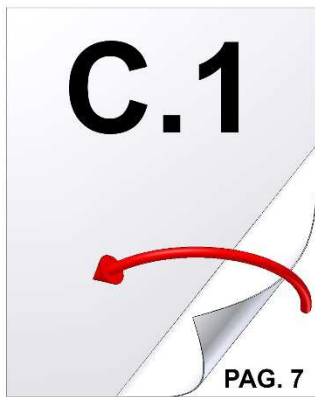
A.6



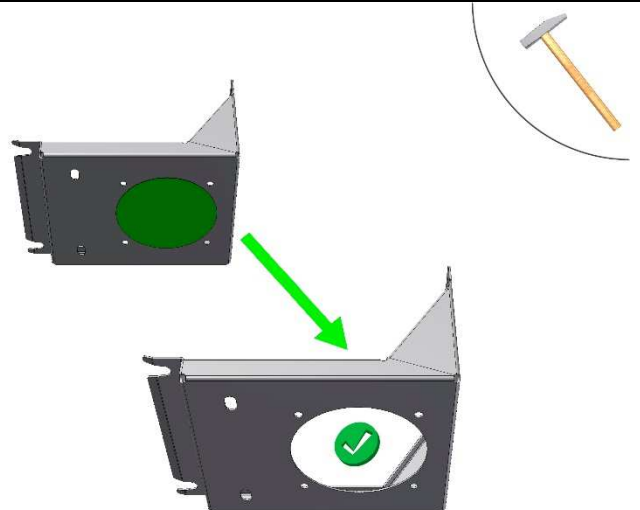
A.7



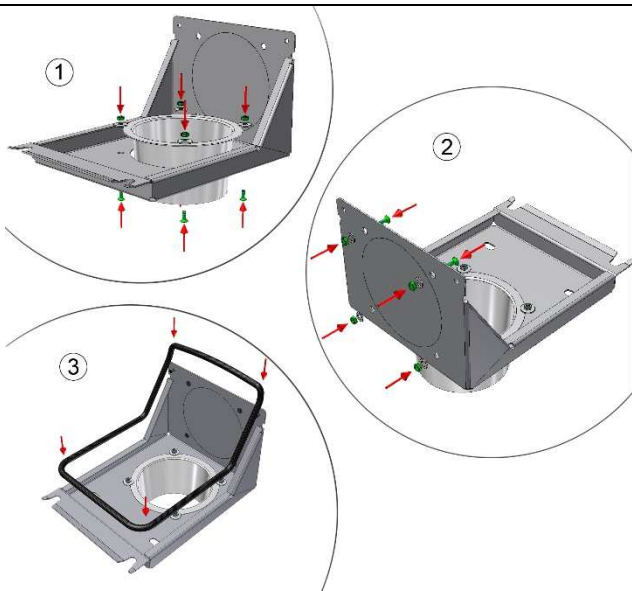
A.8



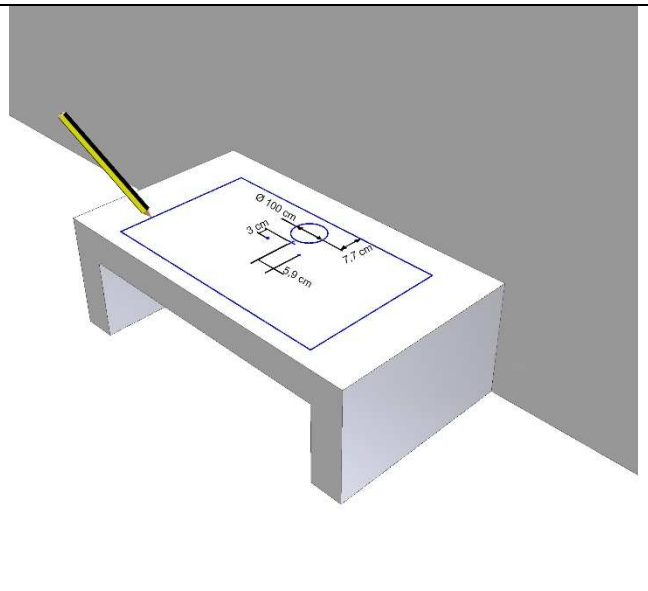
B.1



B.2

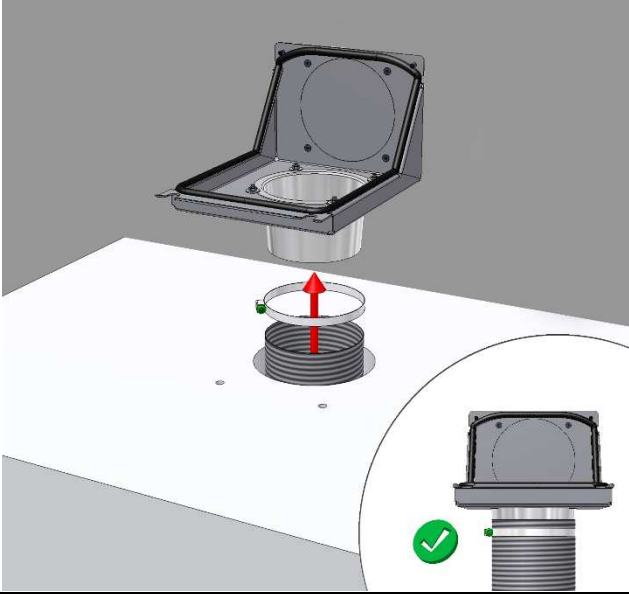


B.3

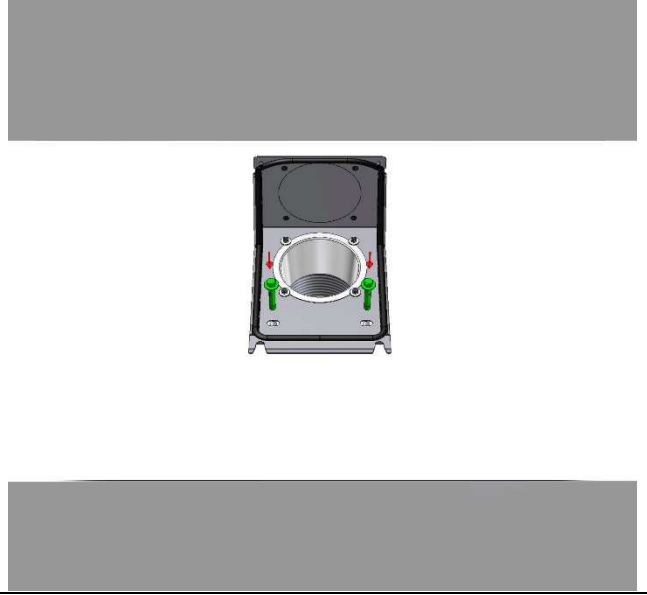


III

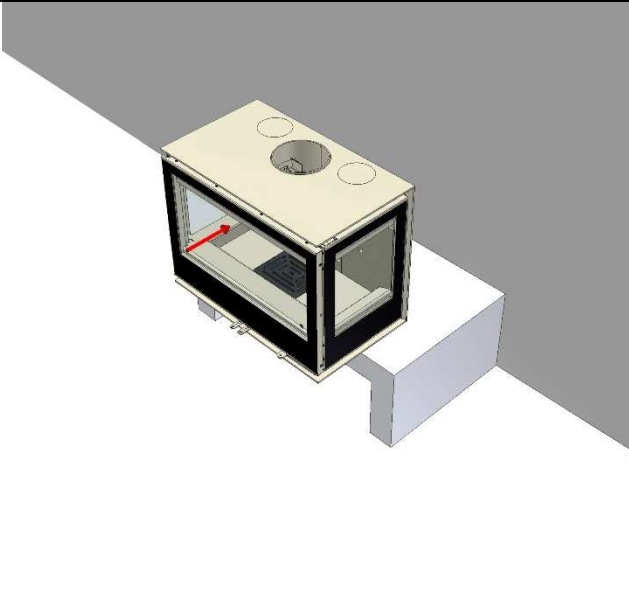
B.4



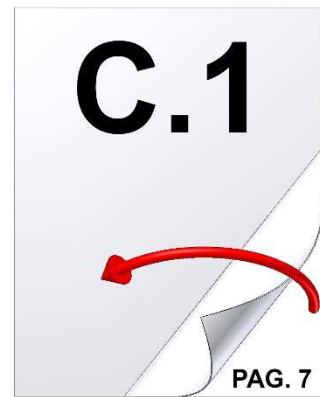
B.5



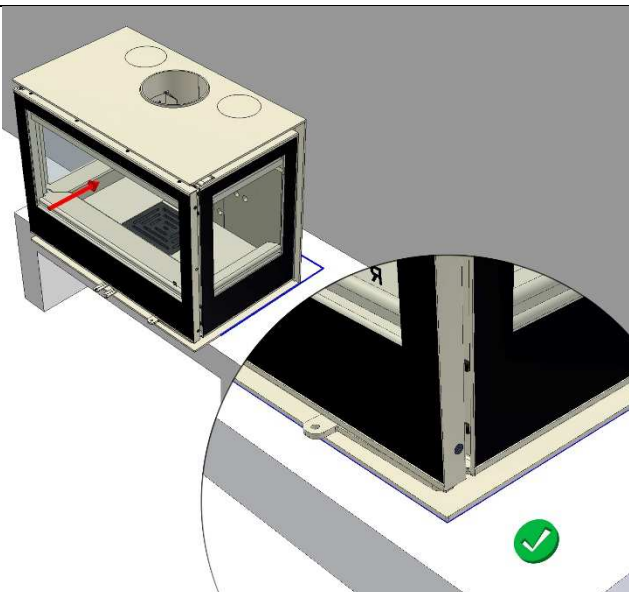
B.6



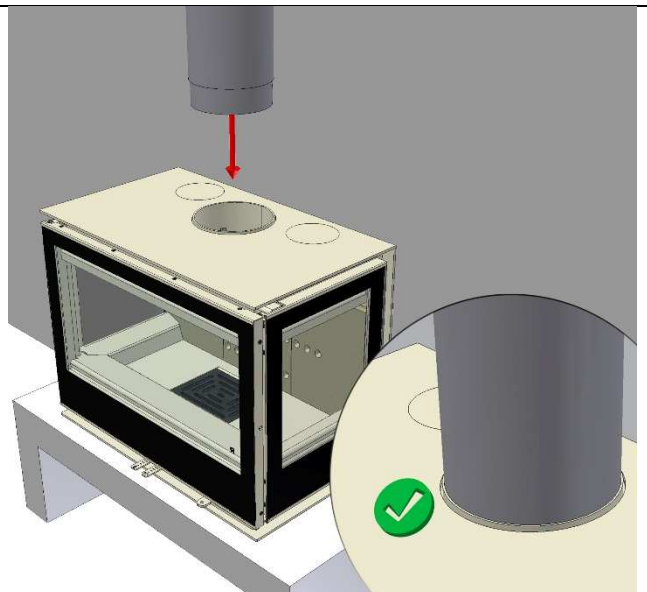
B.7



C.1

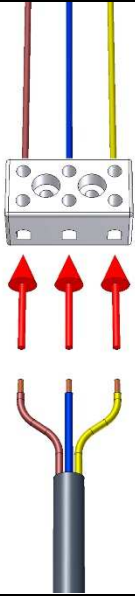


C.2





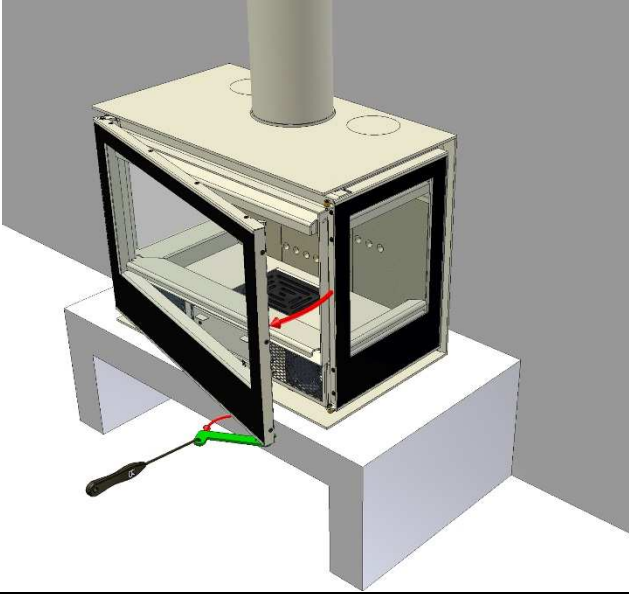
C. 4



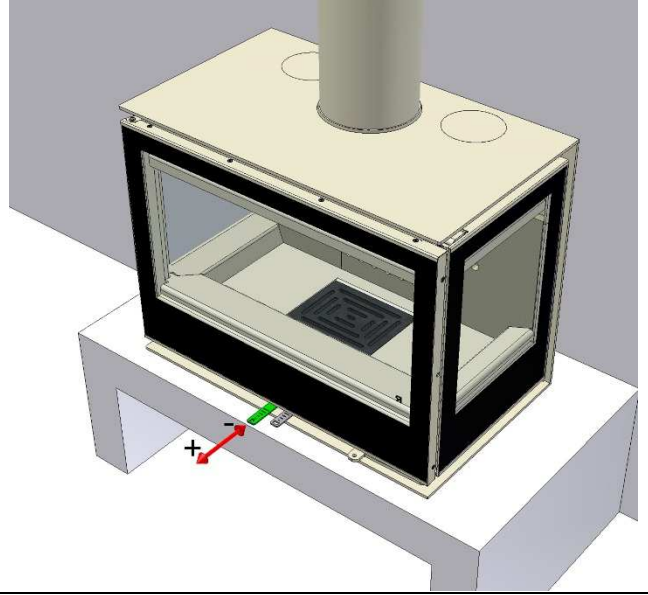
220/230 V AC
50/60 Hz

IV

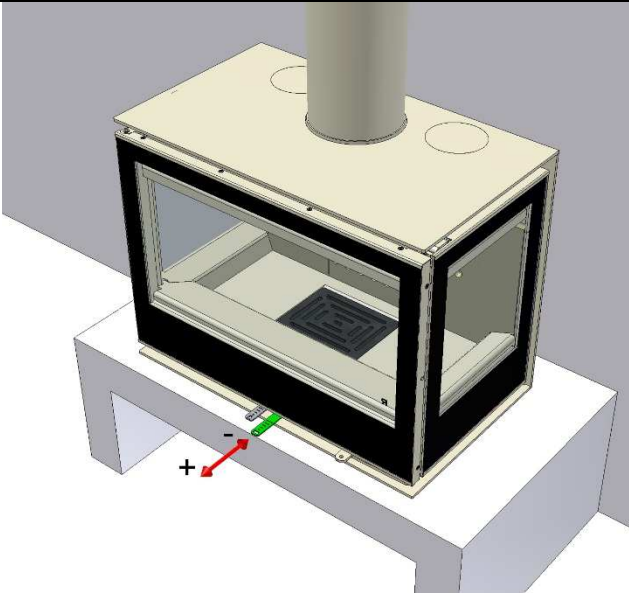
D.1



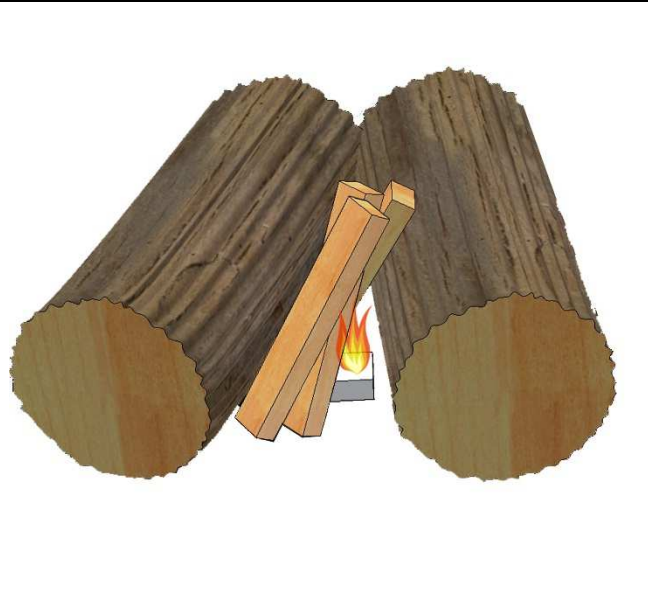
D.2



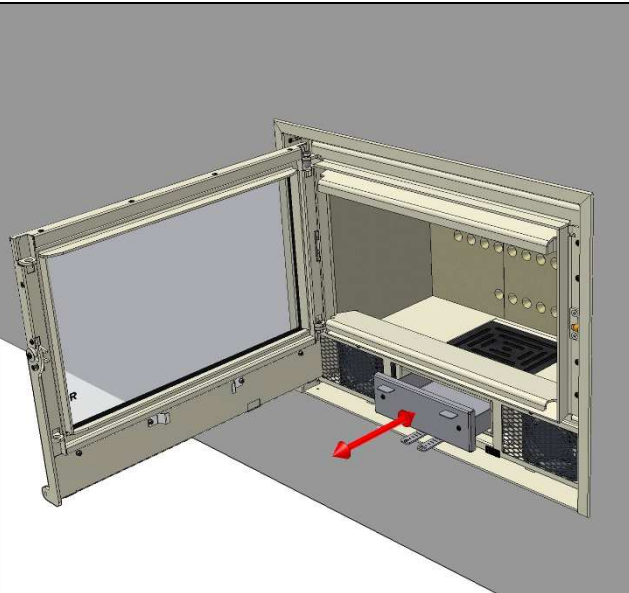
D.3



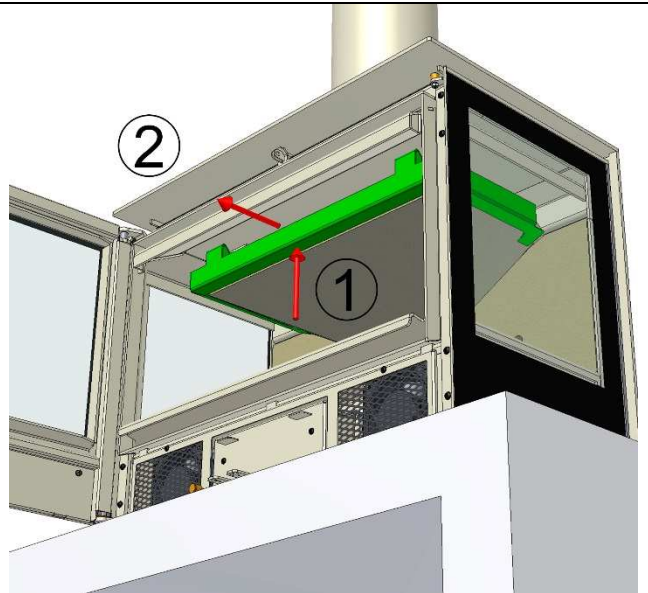
D.4



D.5

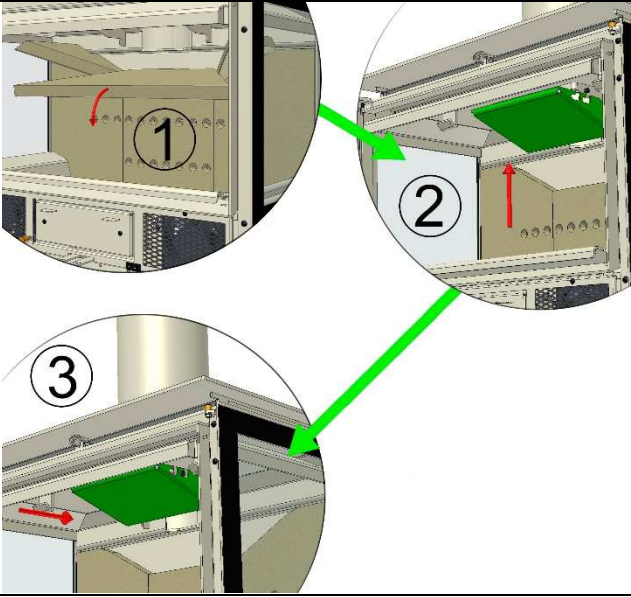


D.6

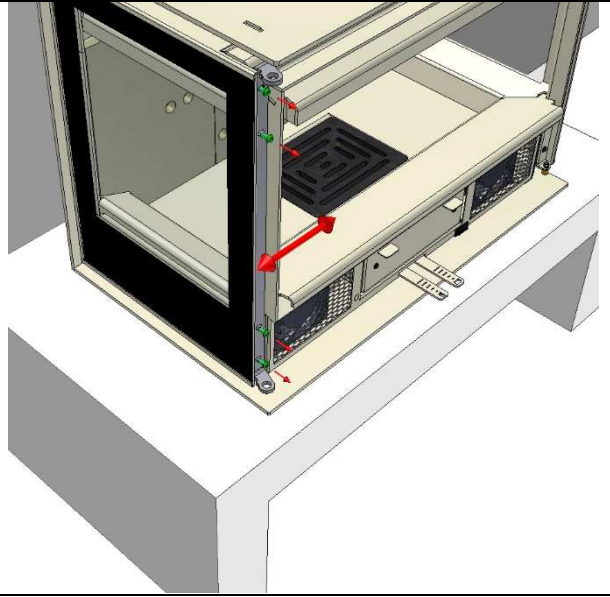


IV

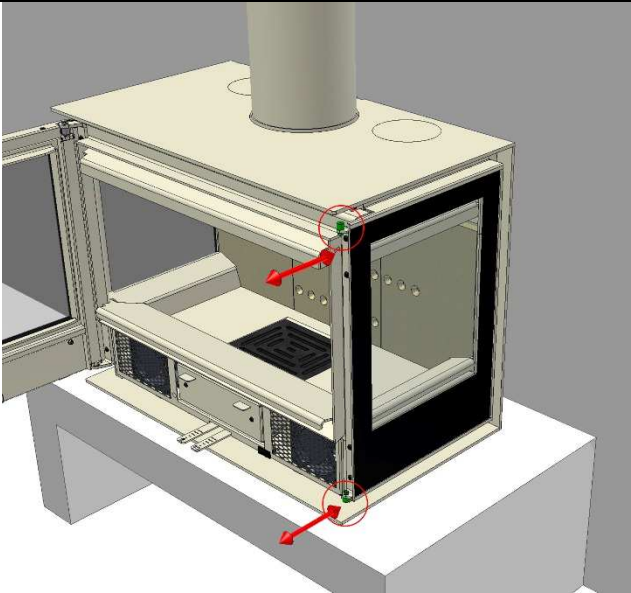
D.7



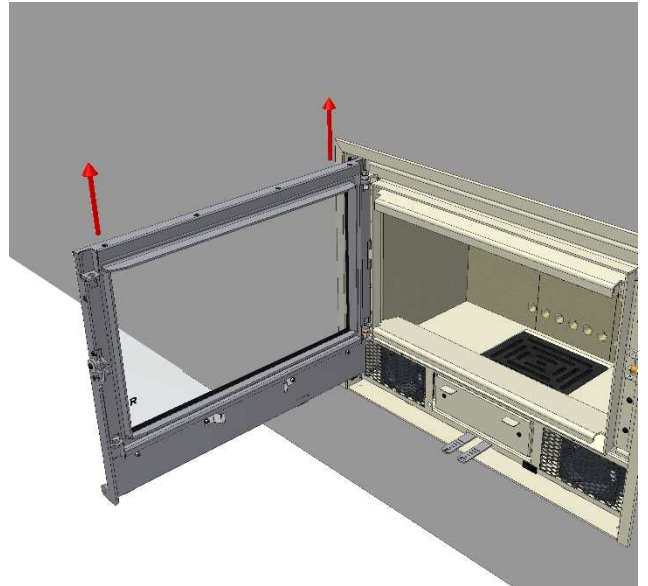
D.8



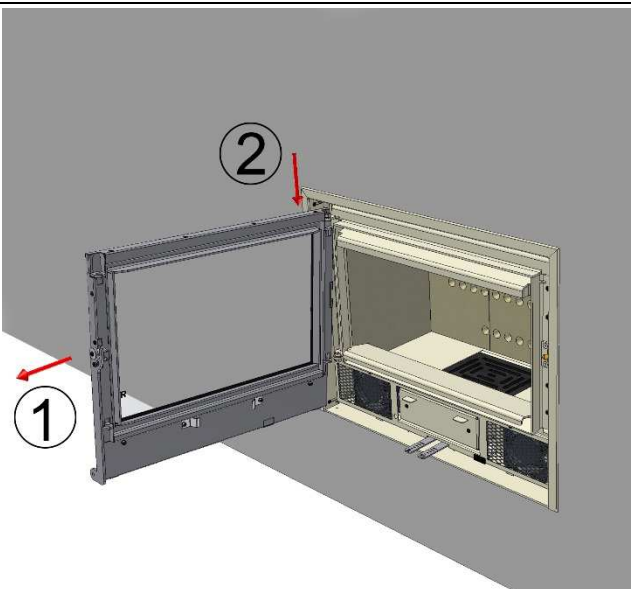
D.9



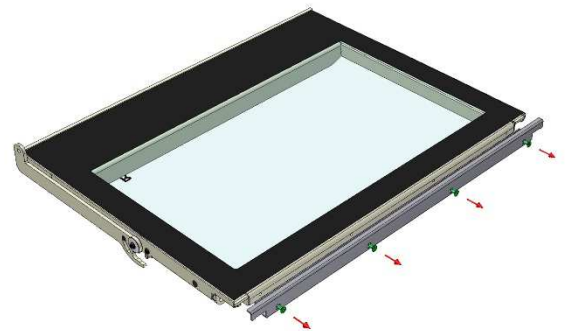
D.10



D.11

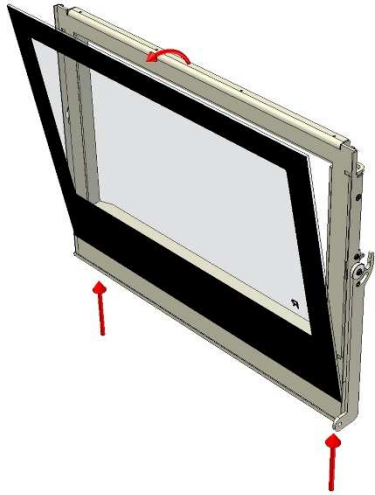


D.12

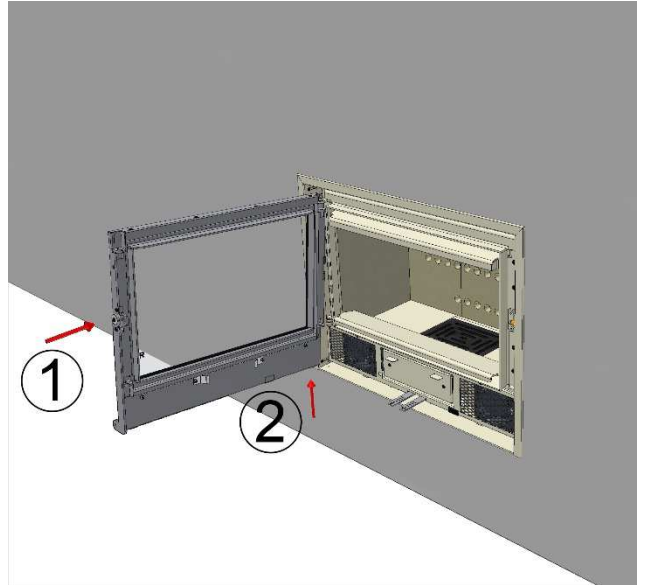


IV

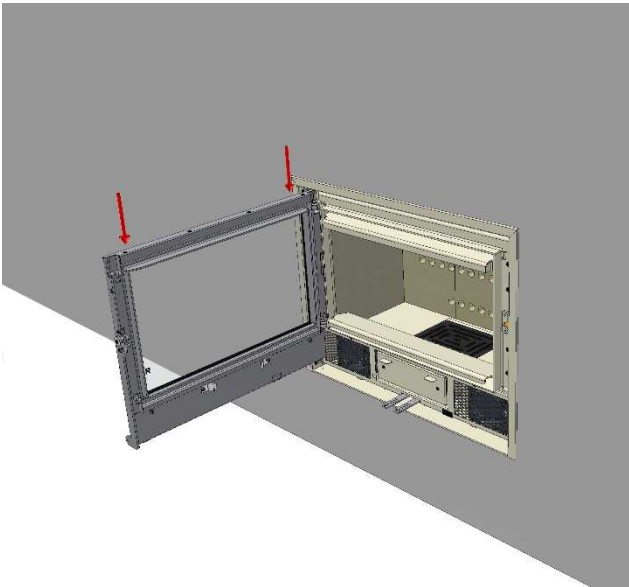
D.13



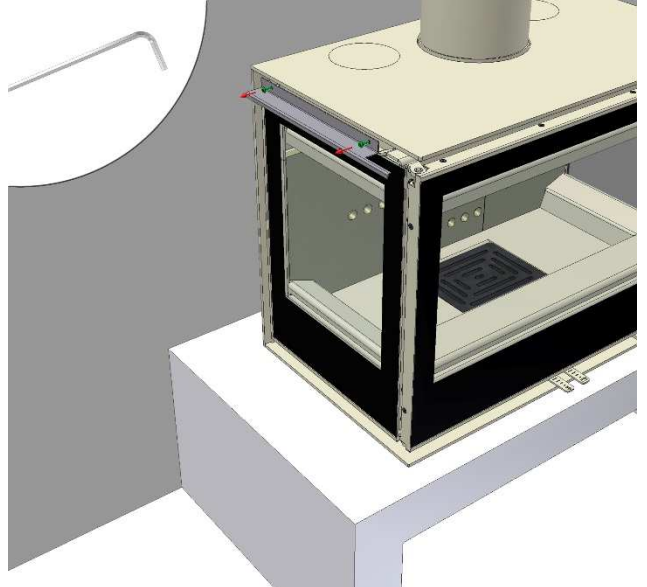
D.14



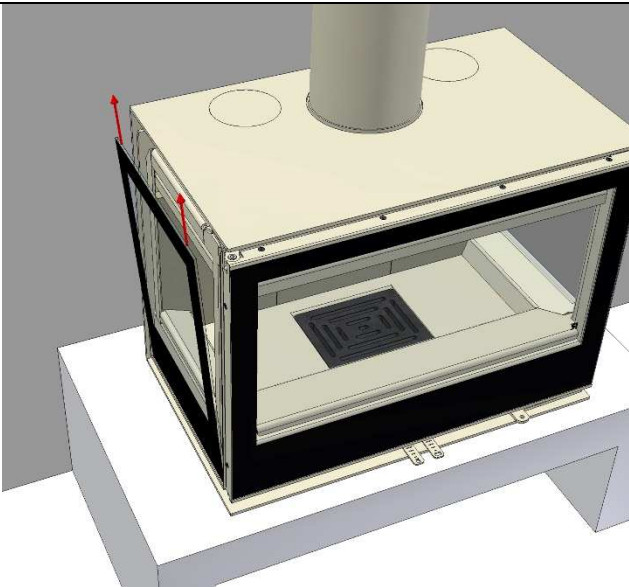
D.15



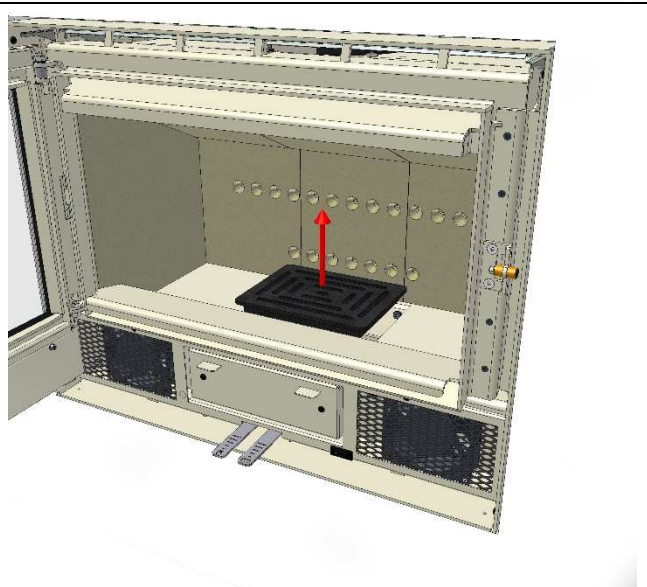
D.16



D.17

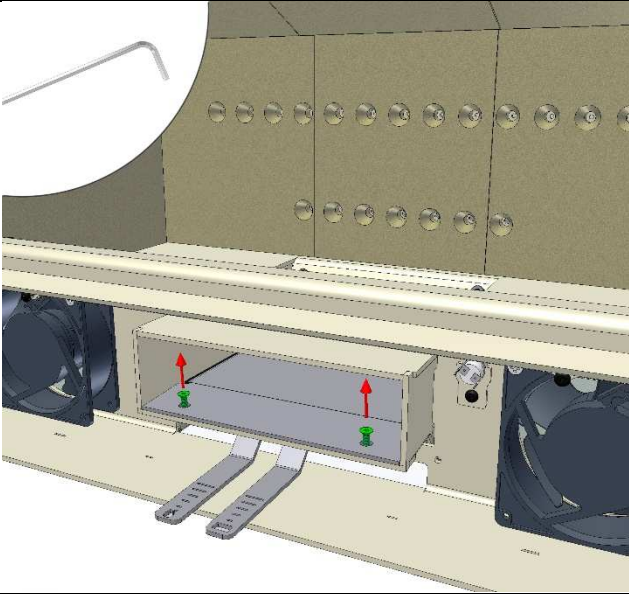


D.18

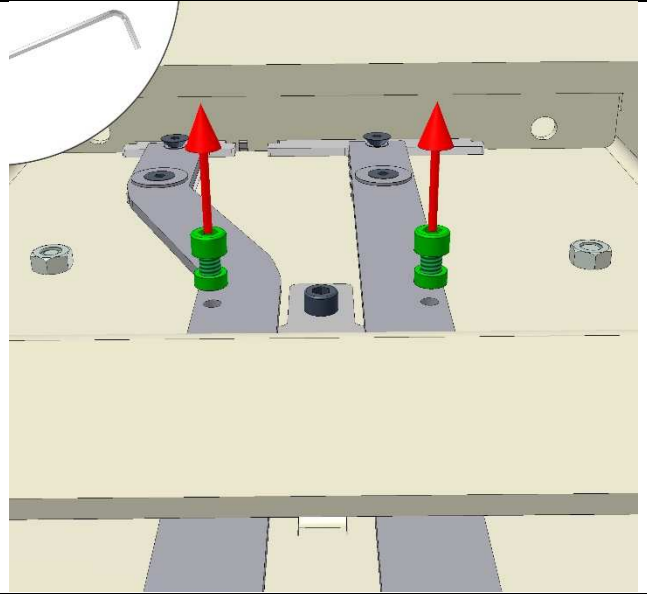


IV

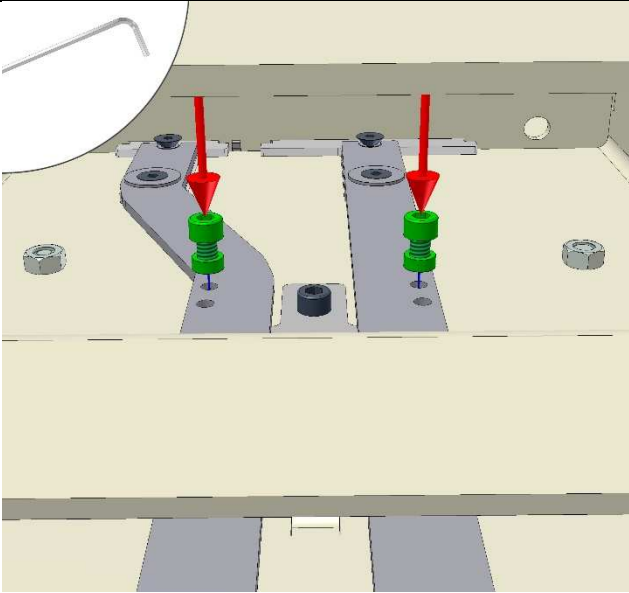
D.19



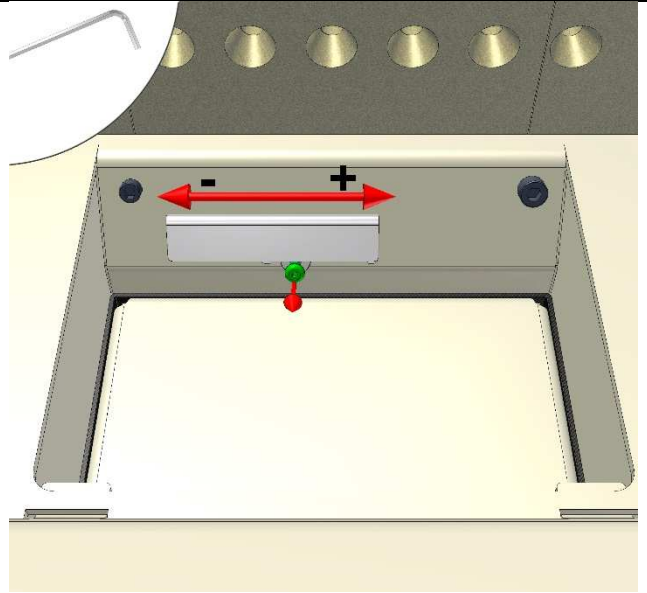
D.20



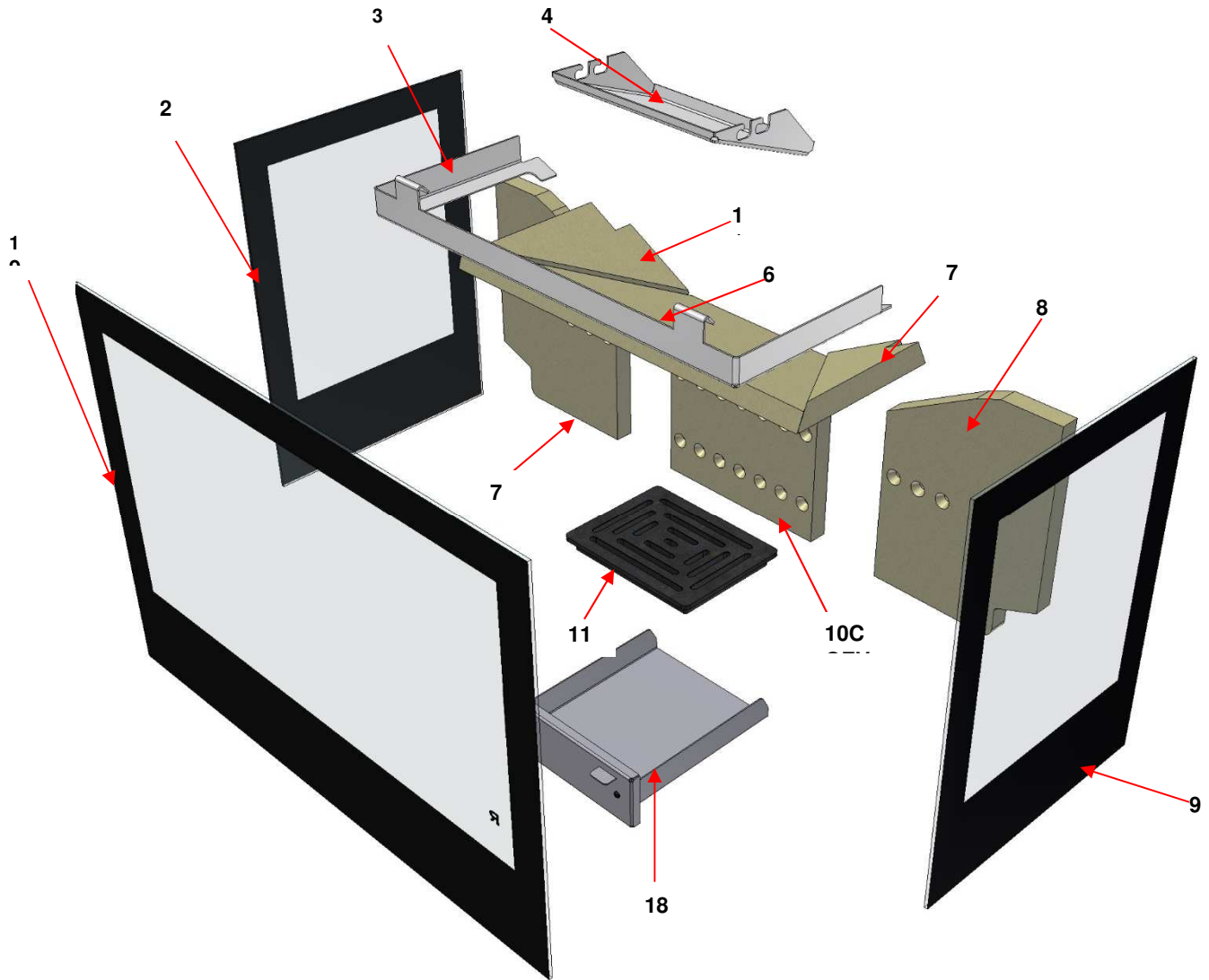
D.21



D.22



V

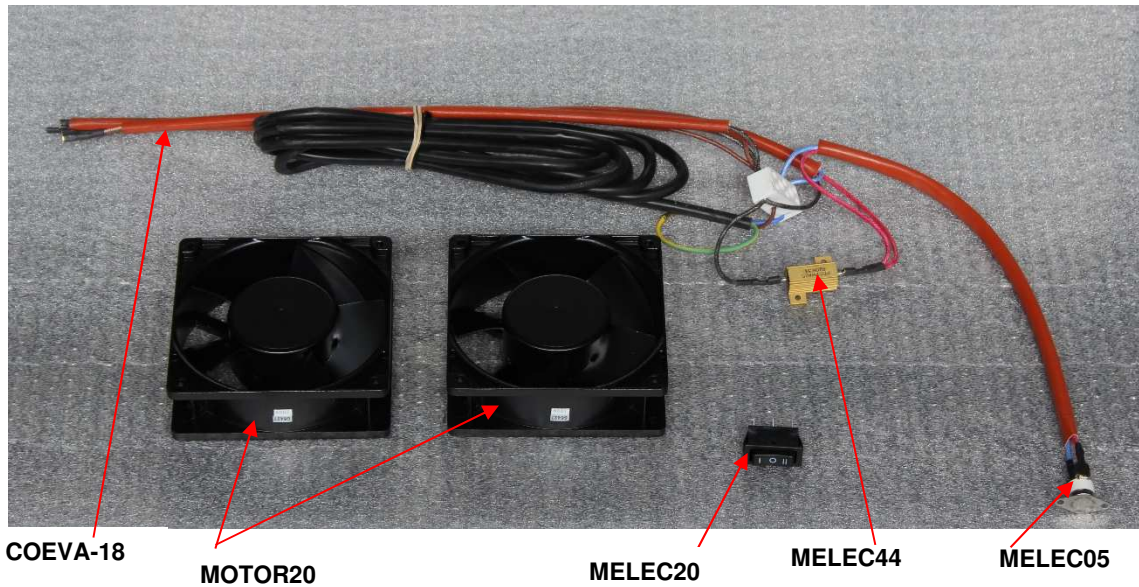


CODES

	Habit 73 TC +T	Habit 93 TC +T
1	M5963-200/1	M5965-200/1
2	M5963-200/2	M5965-200/2
3	M5963-30	M5965-30
4	M5963-14	M5965-14
5	VRM5963-3	VRM5965-3
6	VRM5963-1	VRM5965-1
7	VRM5963-2	VRM5965-2
8	VRM5963-6	VRM5965-6
9	M5963-200/2	M5965-200/2
10	VRM5963-4	VRM5963-4
11	FUM5900-400	FUM5900-400
12	VRM5963-5	VRM5965-5
13	M5963-28/29	M5965-28/29

V

Habit 73 TC +T



Habit 93 TC +T

