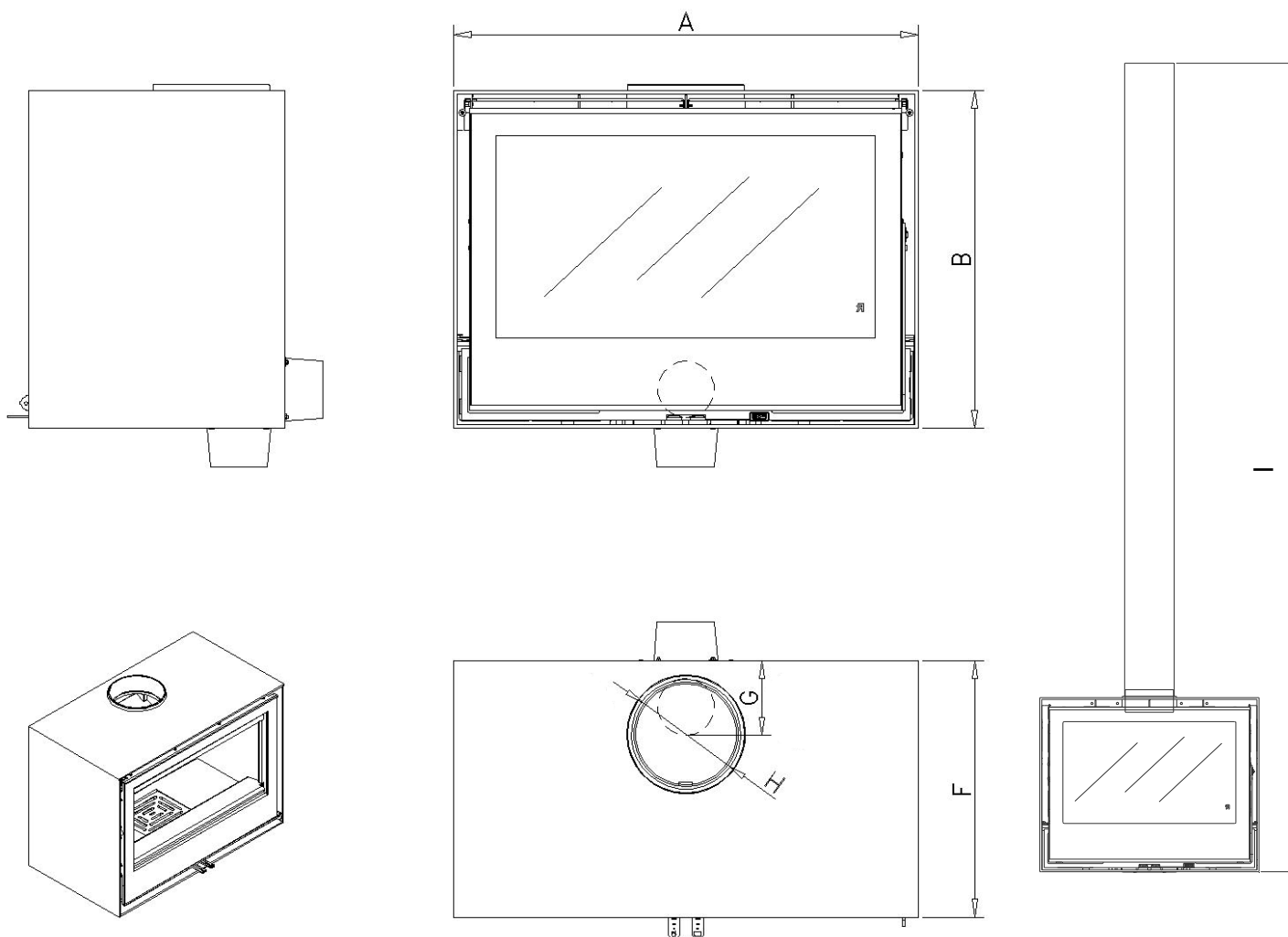


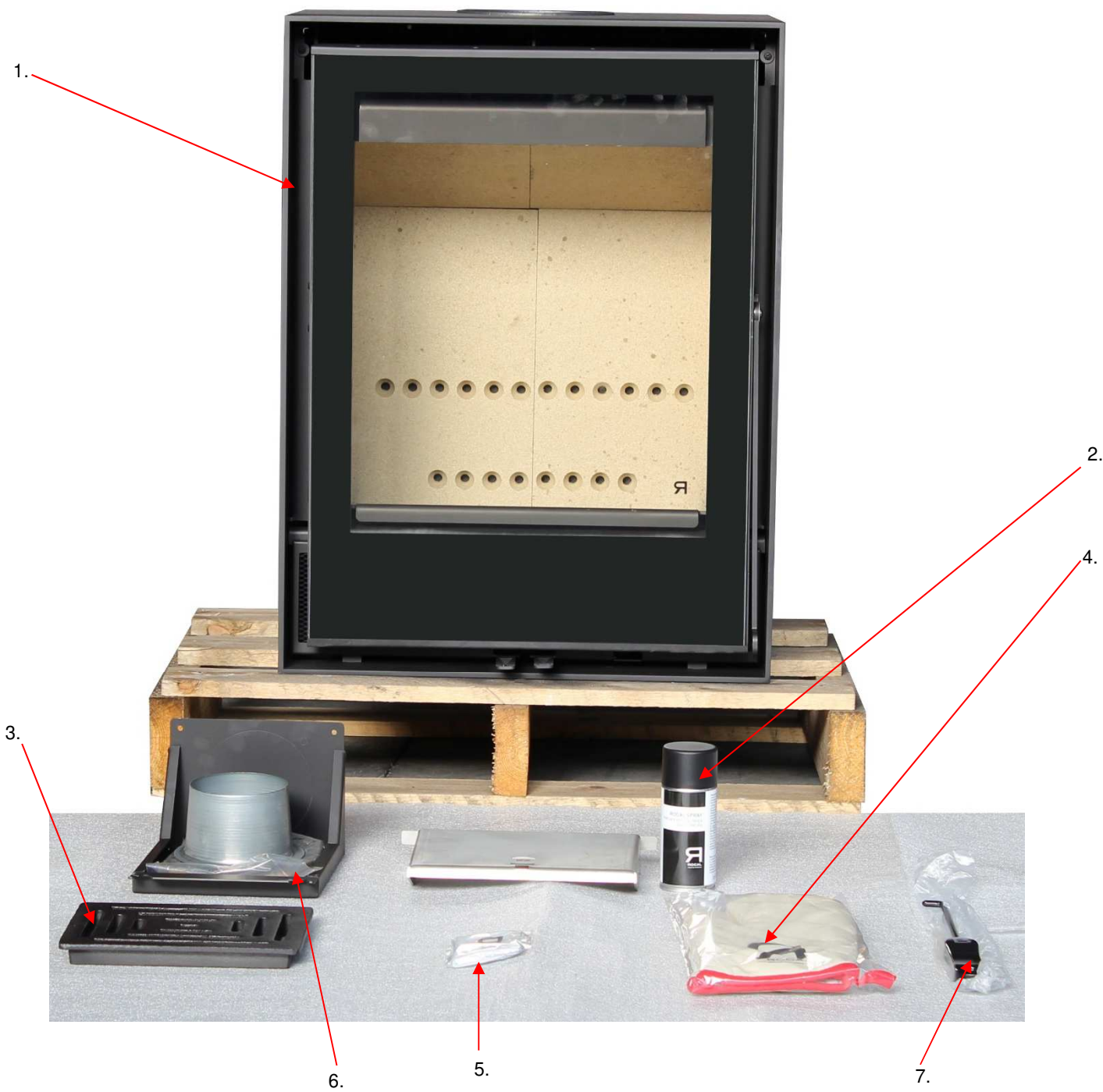
ANEXO/ANNEX/ANNEXE/ANESSO

I



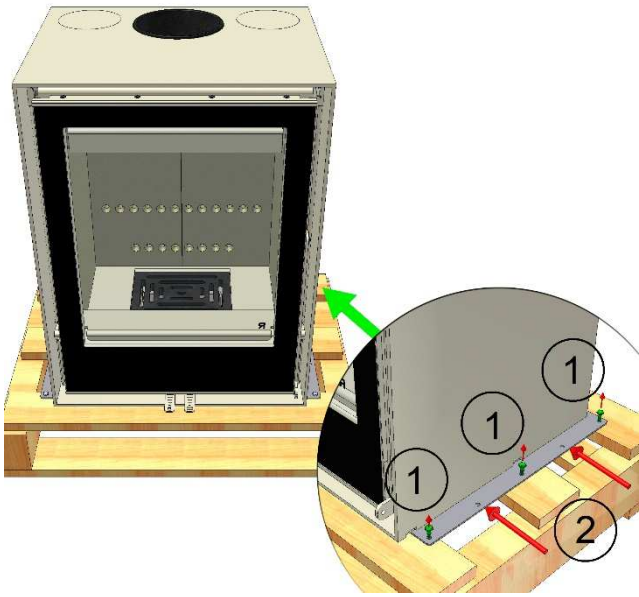
mm	HABIT 50 +T	HABIT 70 A +T	HABIT 80 +T	HABIT 100 +T
A	511	686	780	900
B	682	545	587	612
F	410	410	430	430
G	110	110	123	123
H	150	150	175-180	175-180
I	2666	2529	2571	2596

II

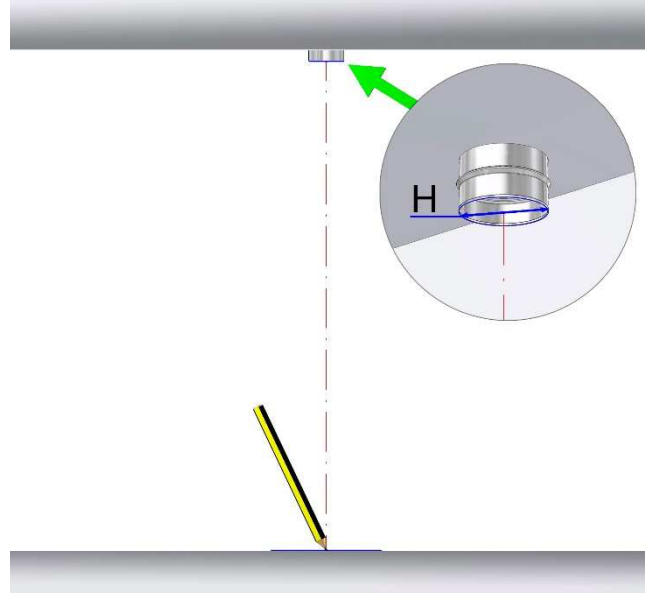


III

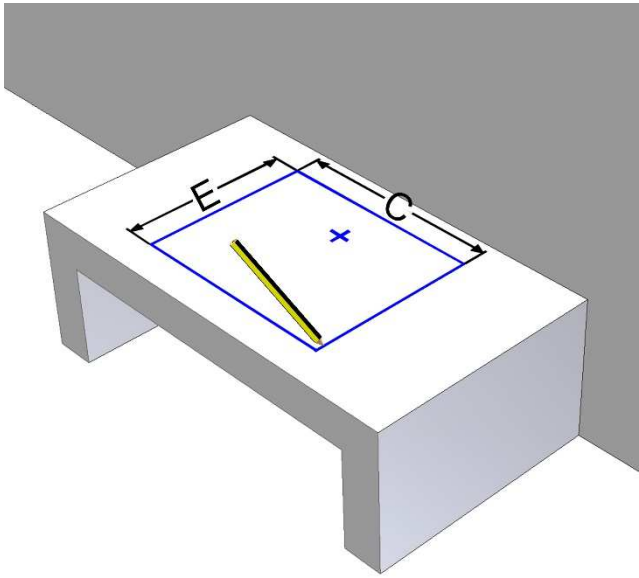
1



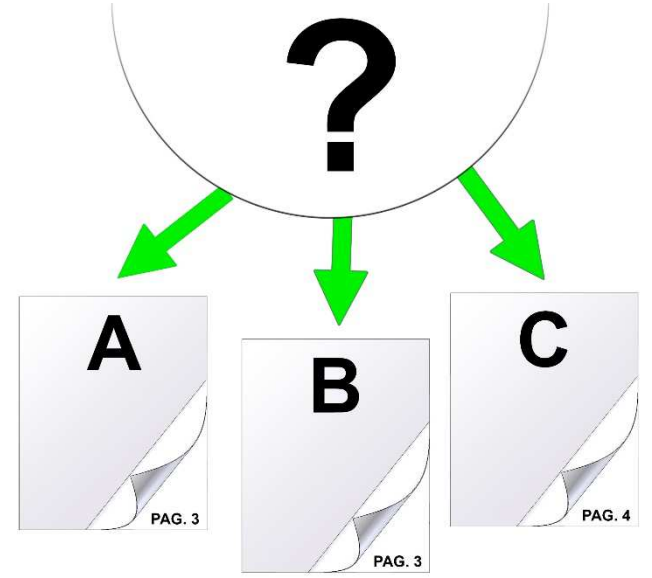
2



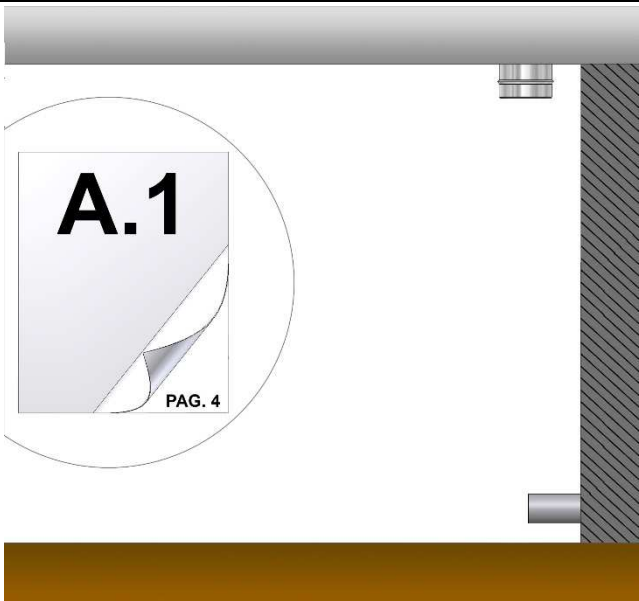
3



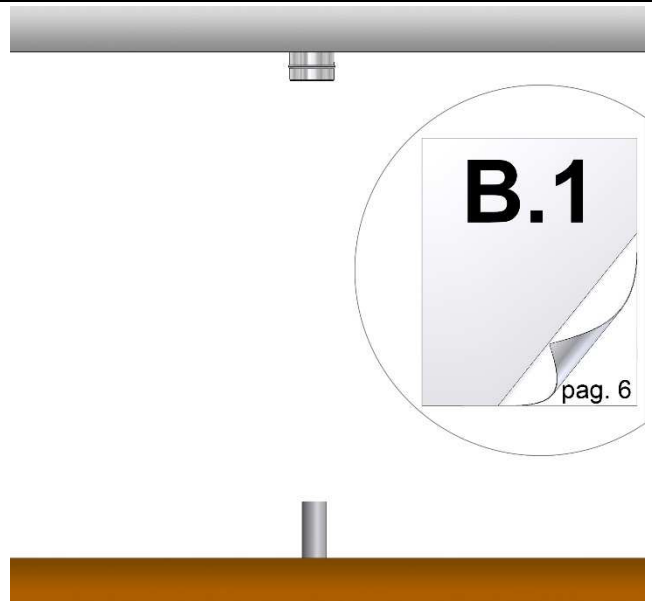
4



A

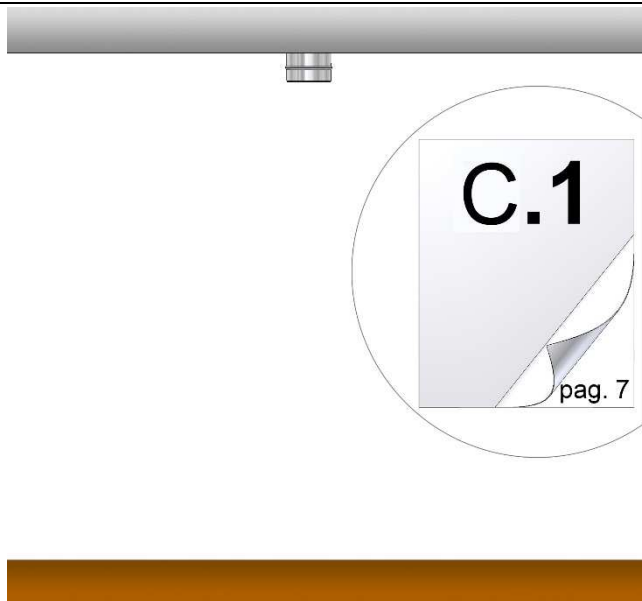


A

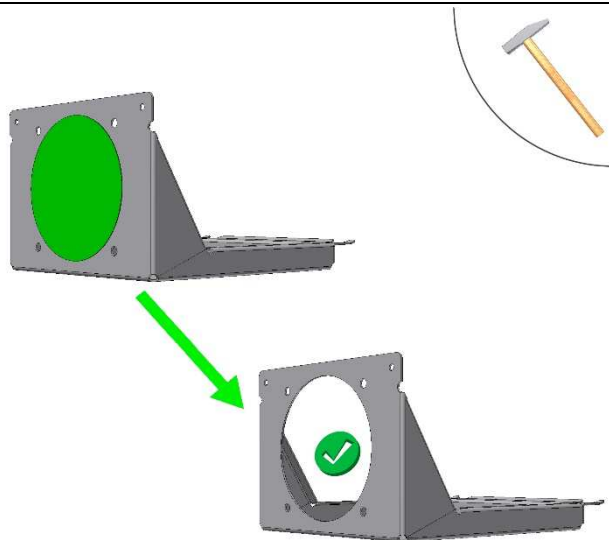


III

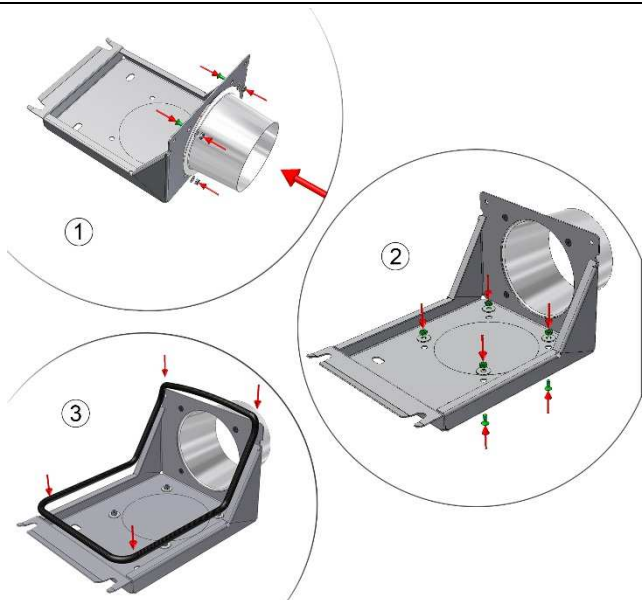
C



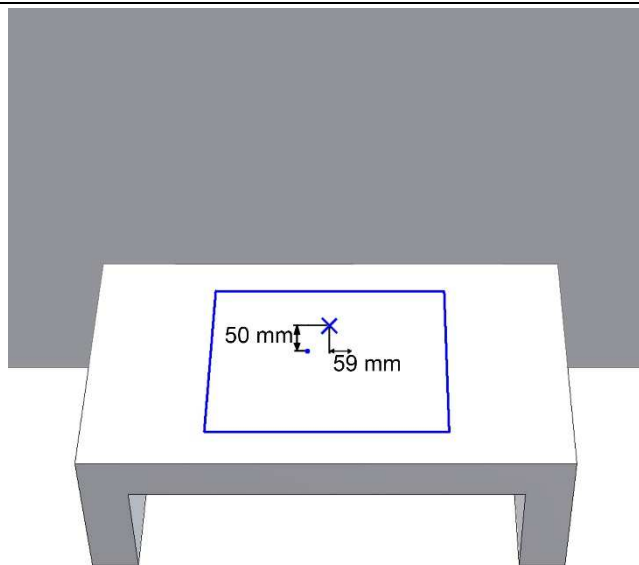
A.1



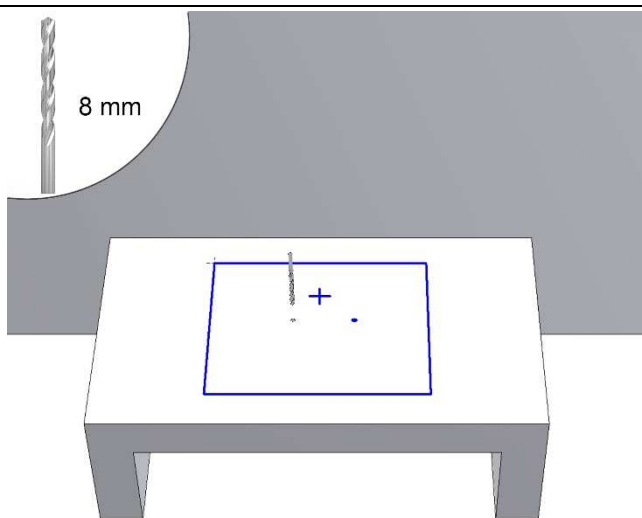
A.2



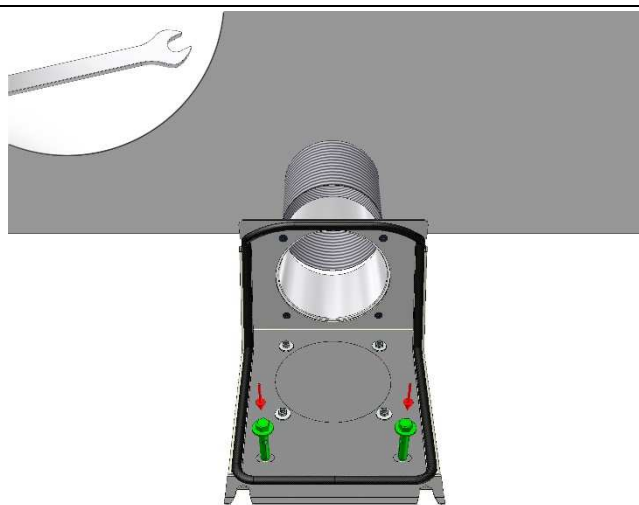
A.3



A.4

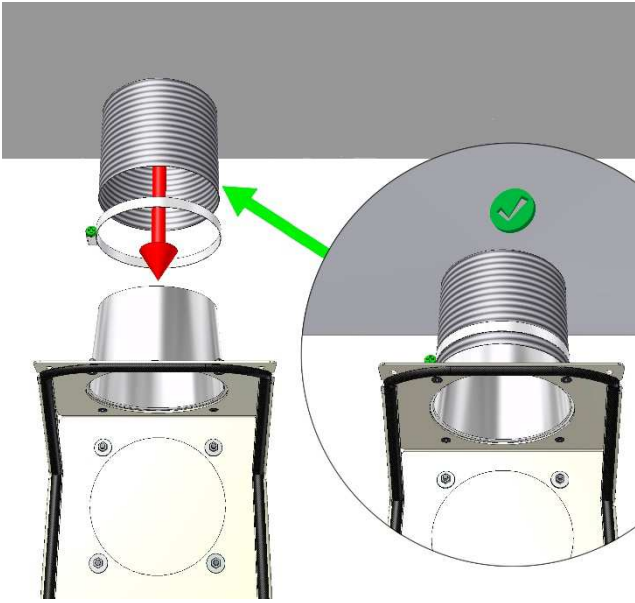


A.5

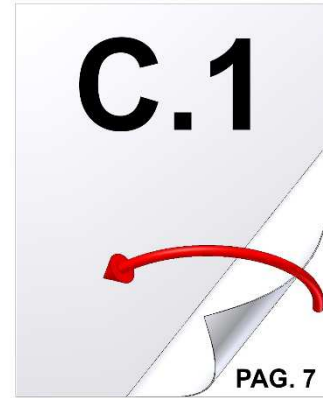


III

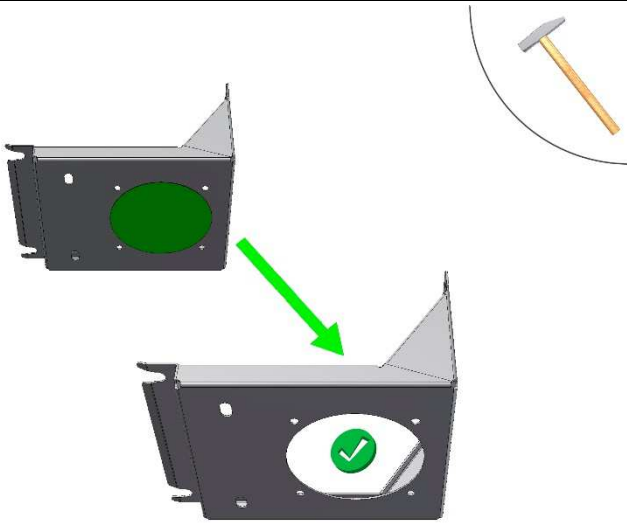
A.6



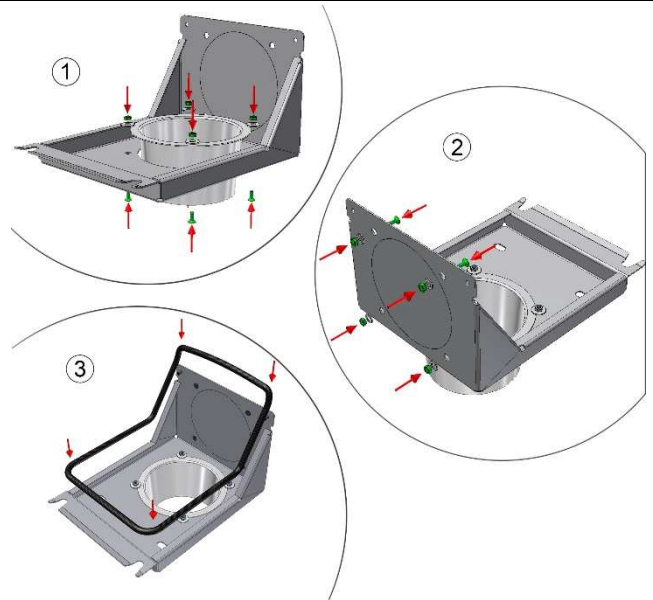
A.7



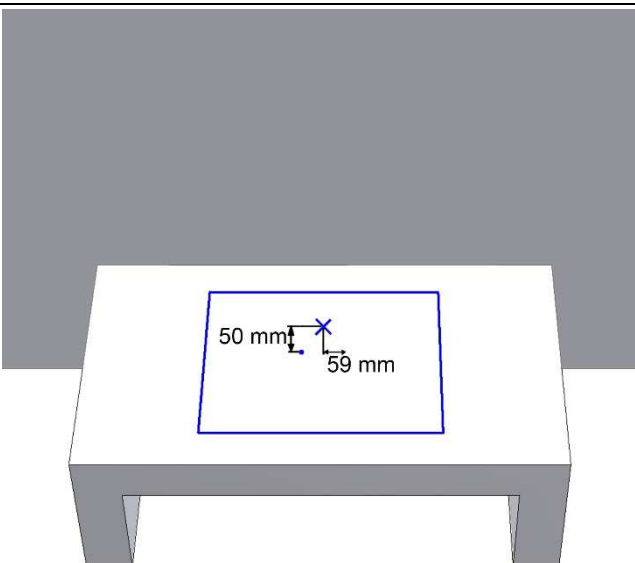
B.1



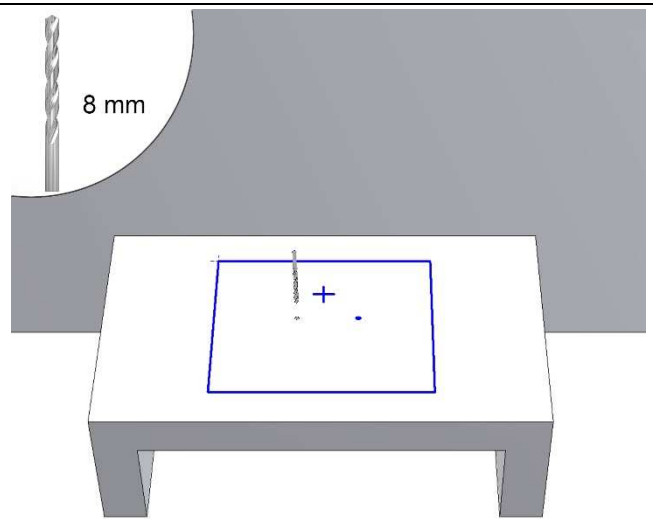
B.2



B.3



B.4

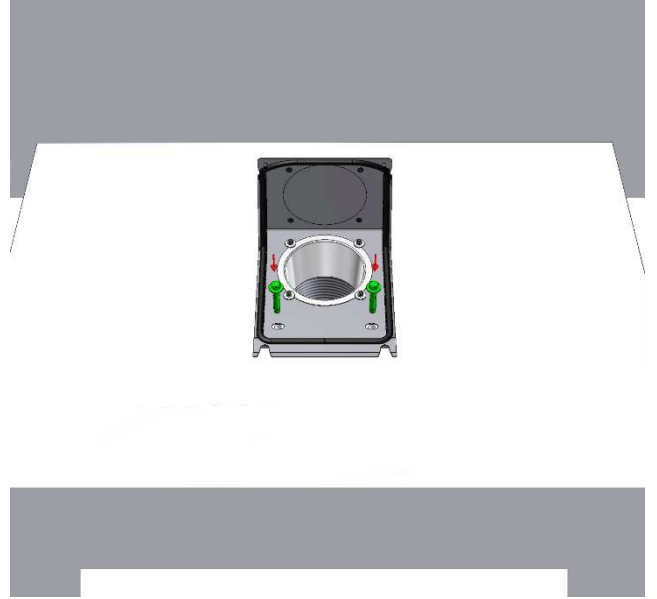


III

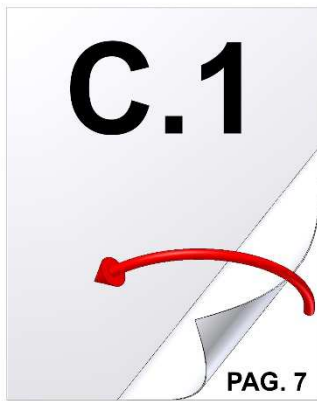
B.5



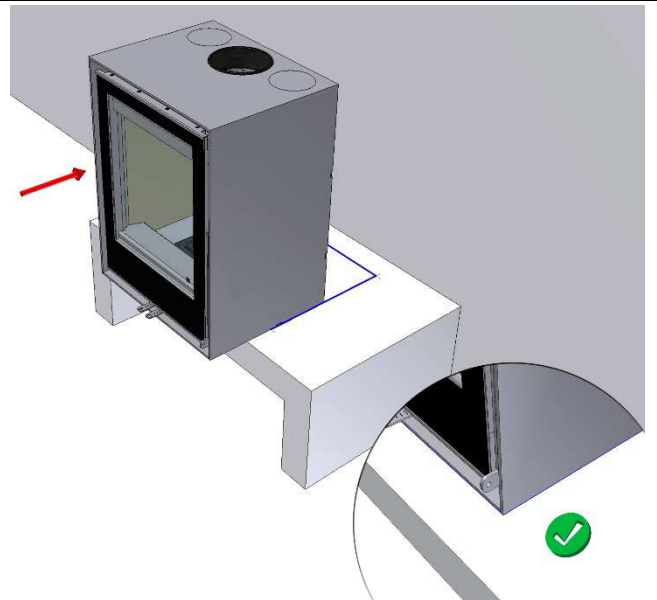
B.6



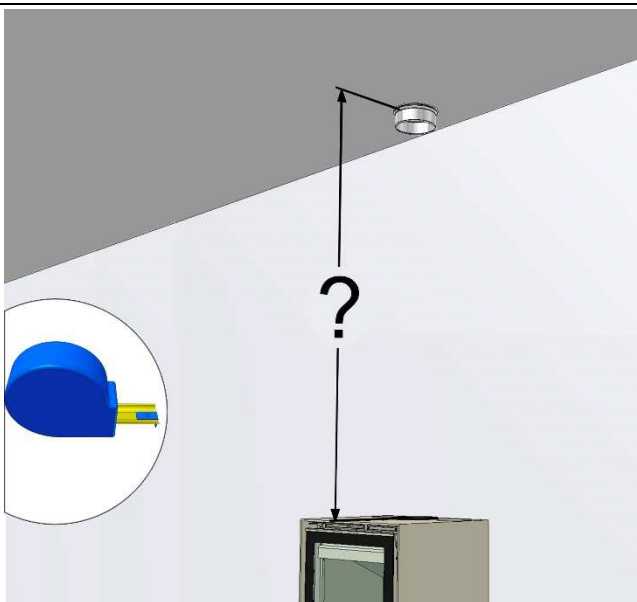
B.7



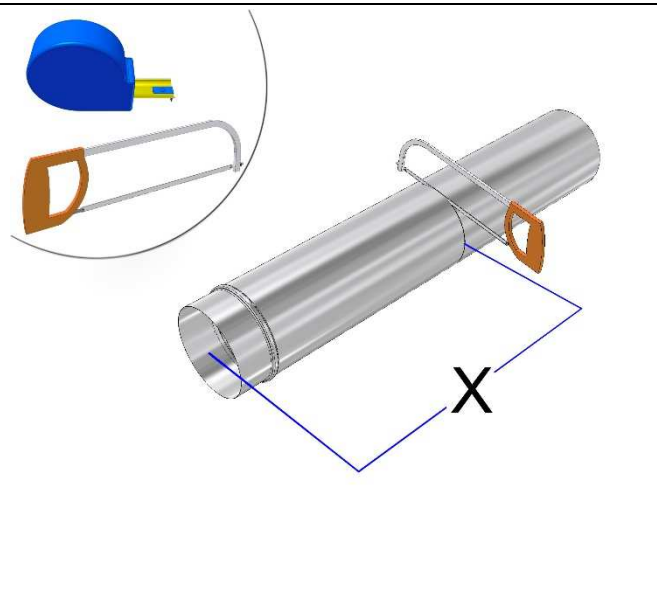
C.1



C.2

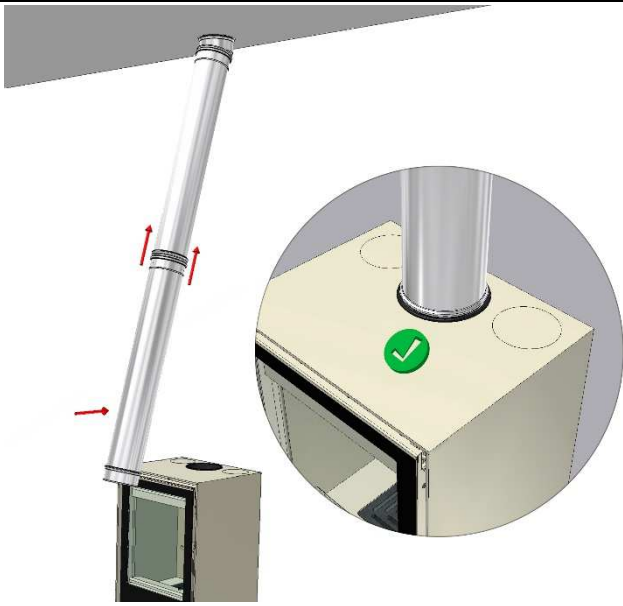


C.3

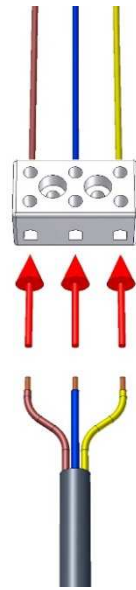


III

C.4



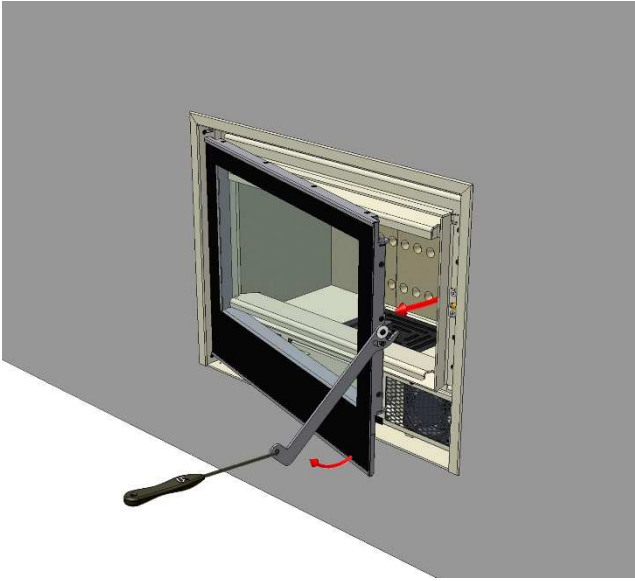
C.5



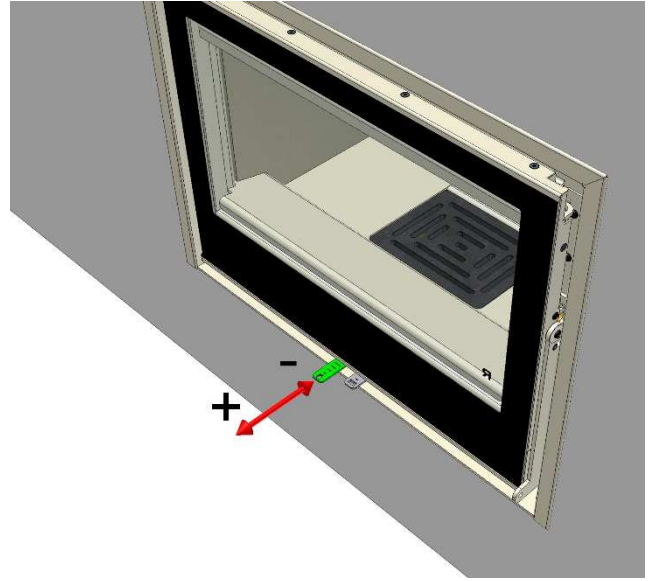
220/230 V AC
50/60 Hz

IV

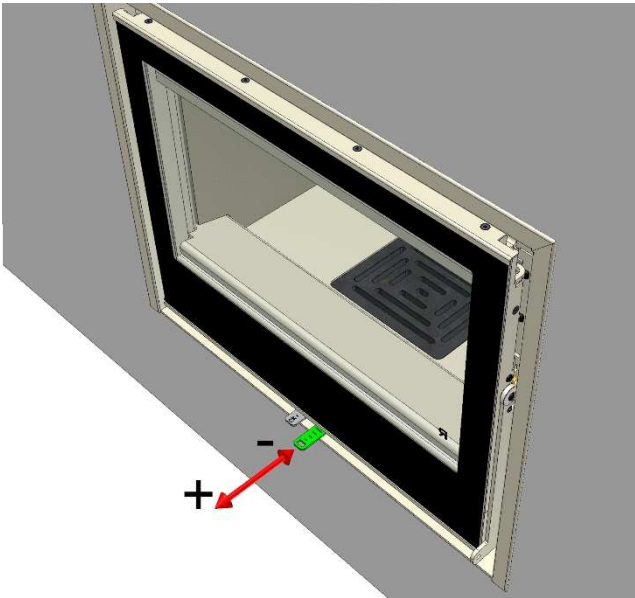
D.1



D.2



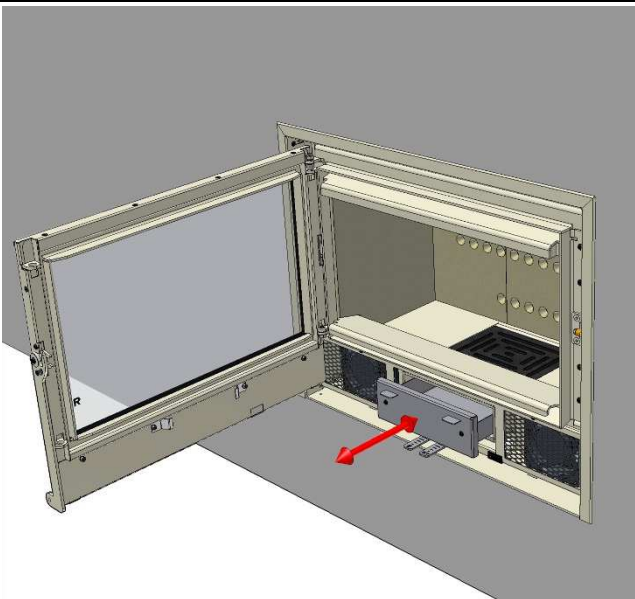
D.3



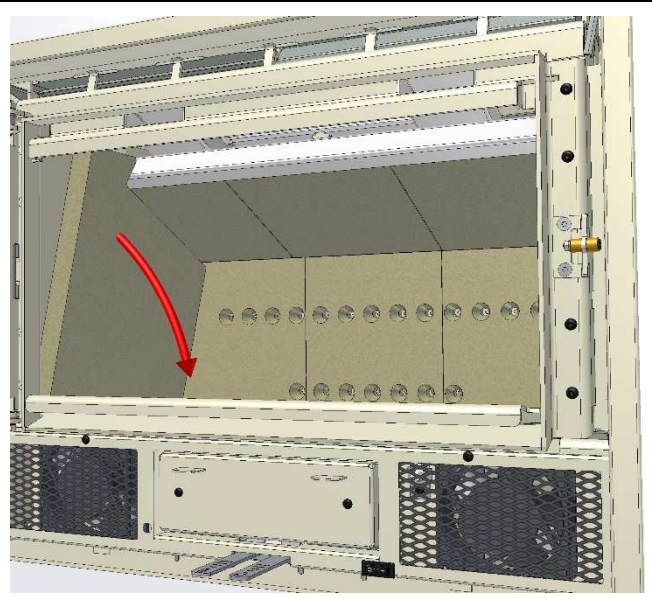
D.4



D.5

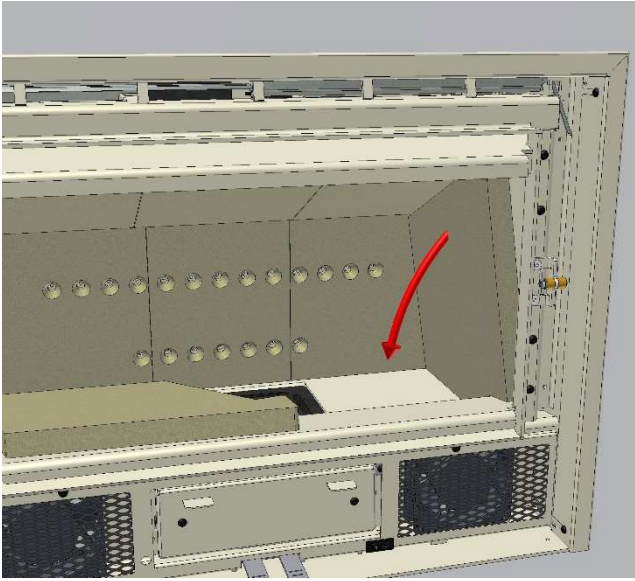


D.6

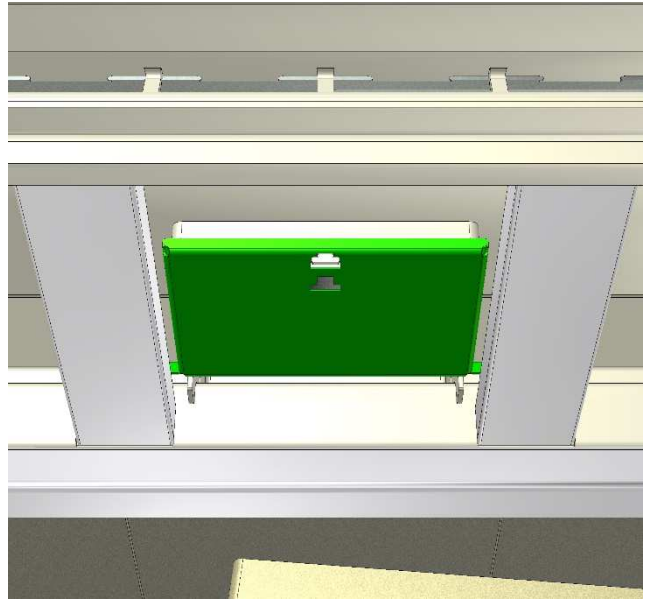


IV

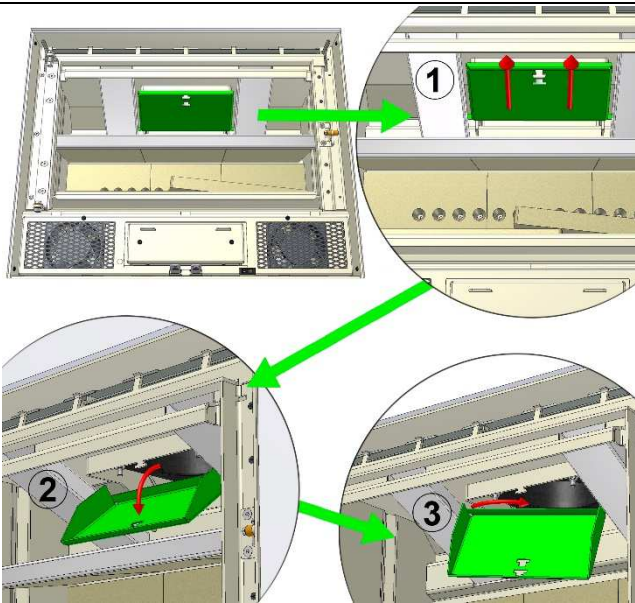
D.7



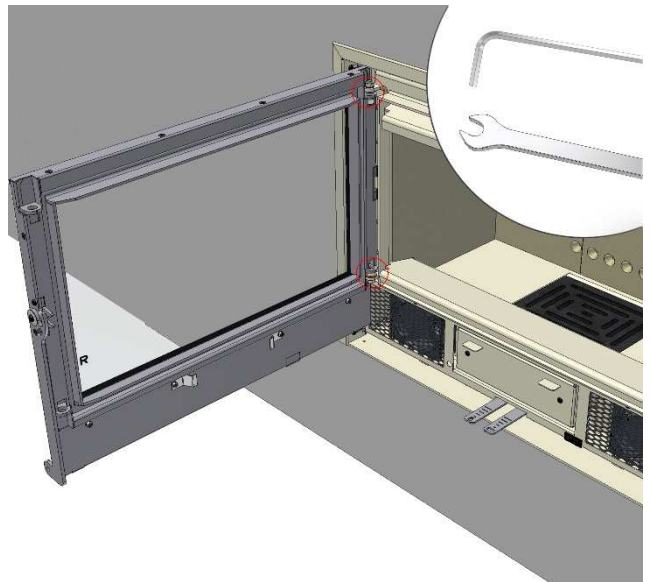
D.8



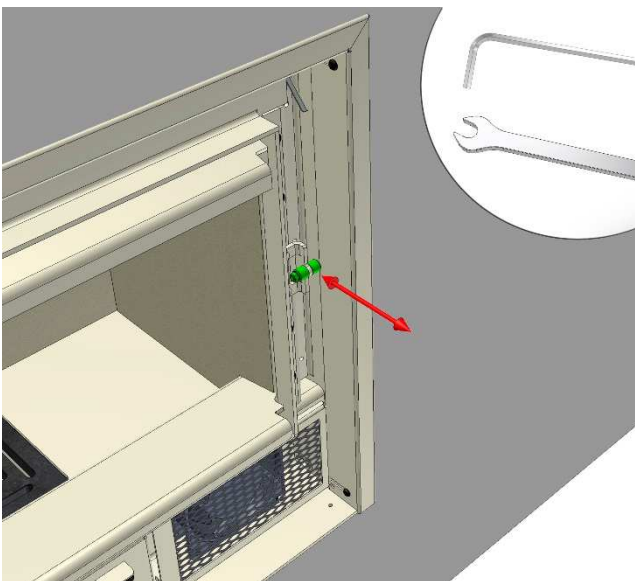
D.9



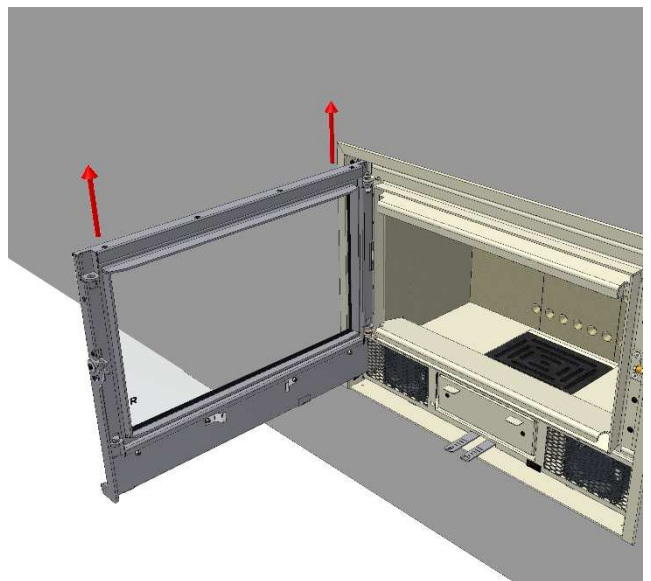
D.10



D.11

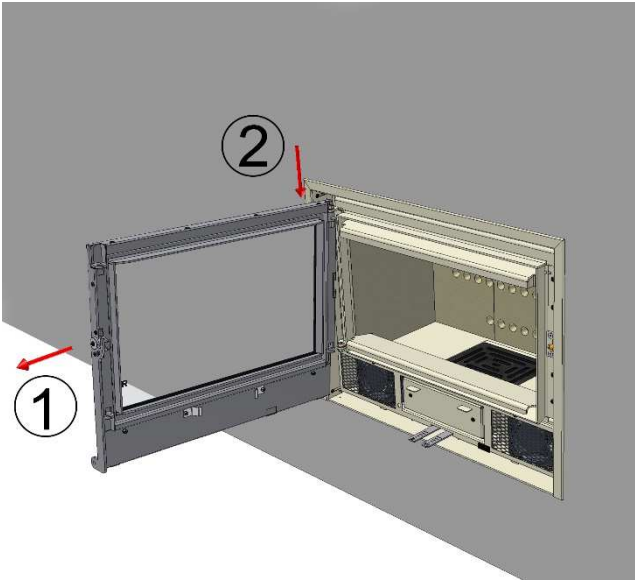


D.12

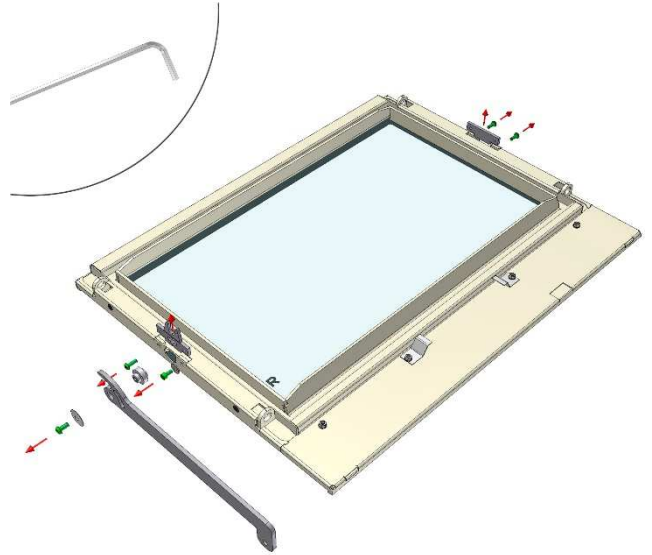


IV

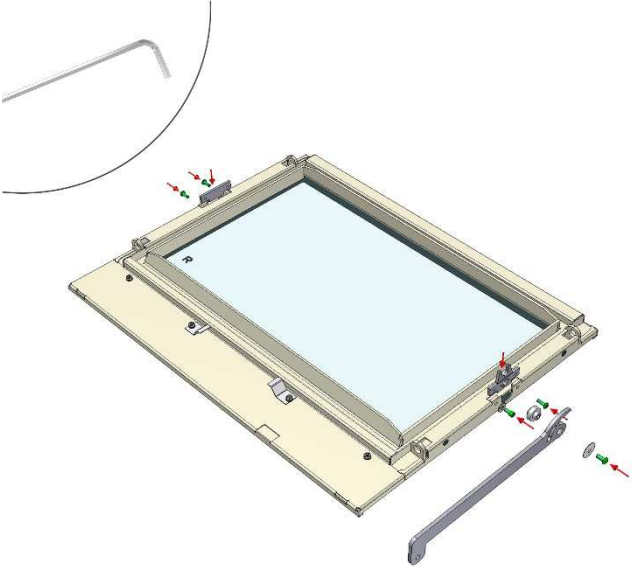
D.13



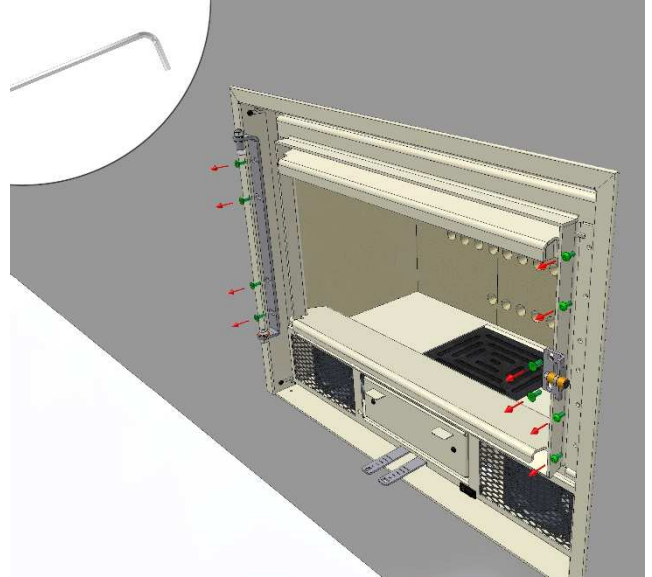
D.14



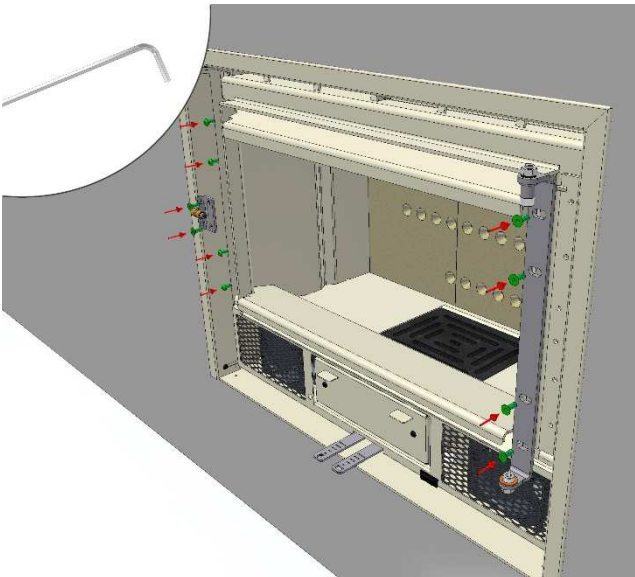
D.15



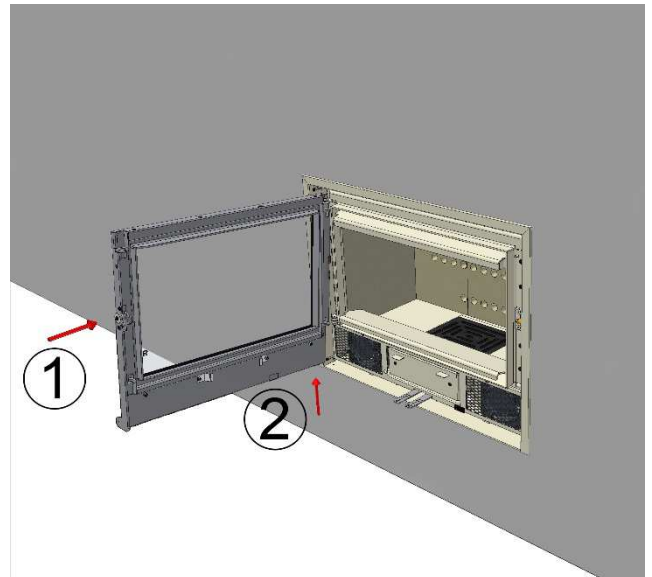
D.16



D.17

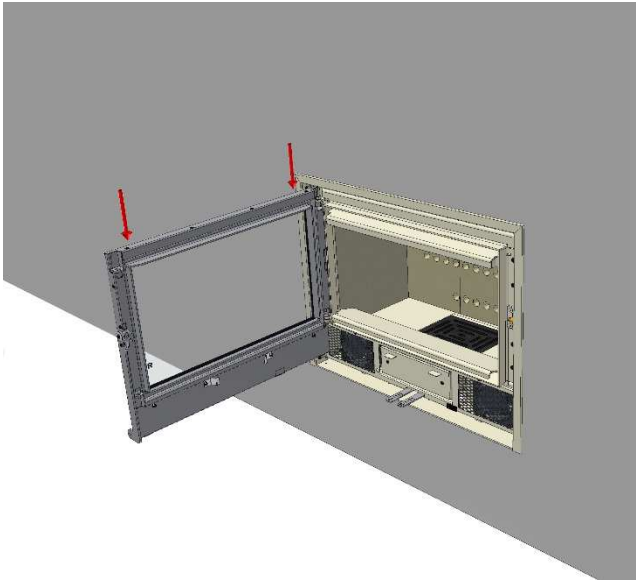


D.18

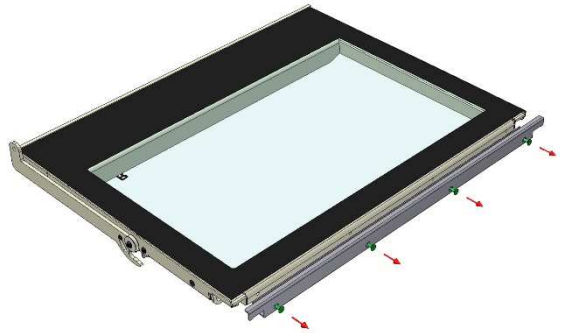


IV

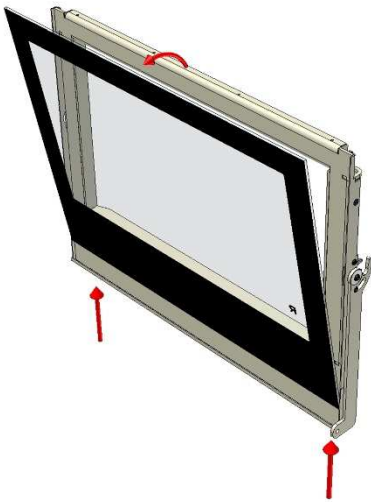
D.19



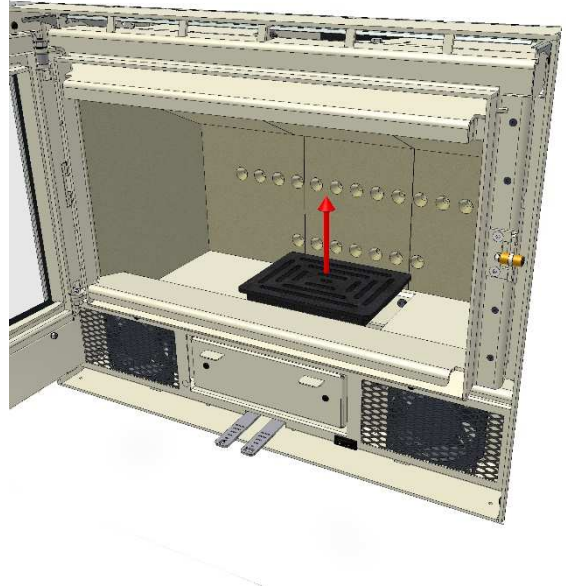
D.20



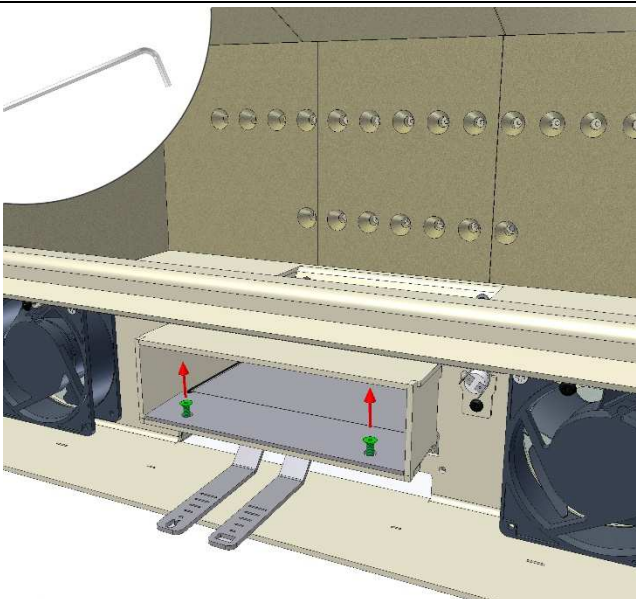
D.21



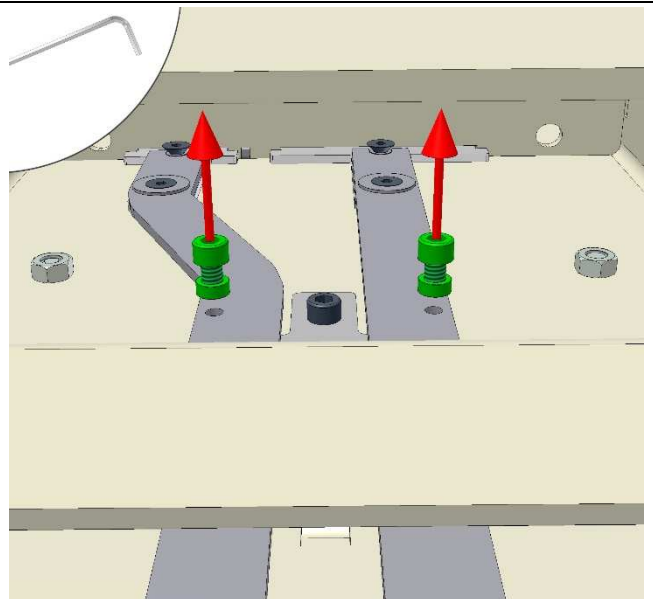
D.22



D.23

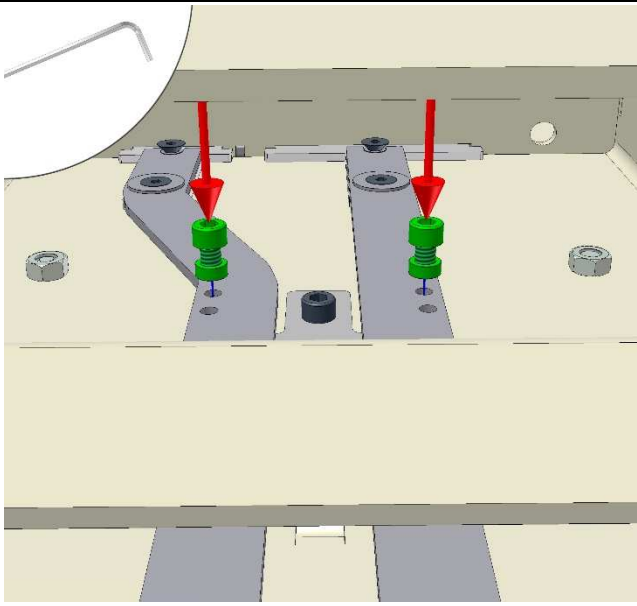


D.24

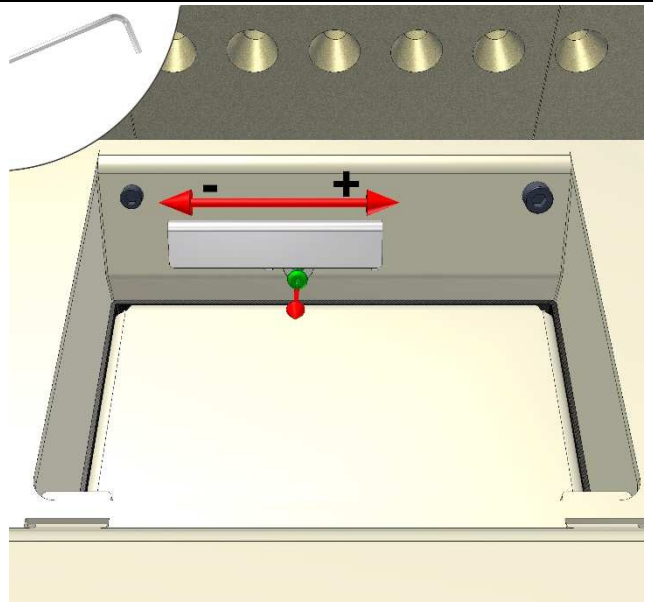


IV

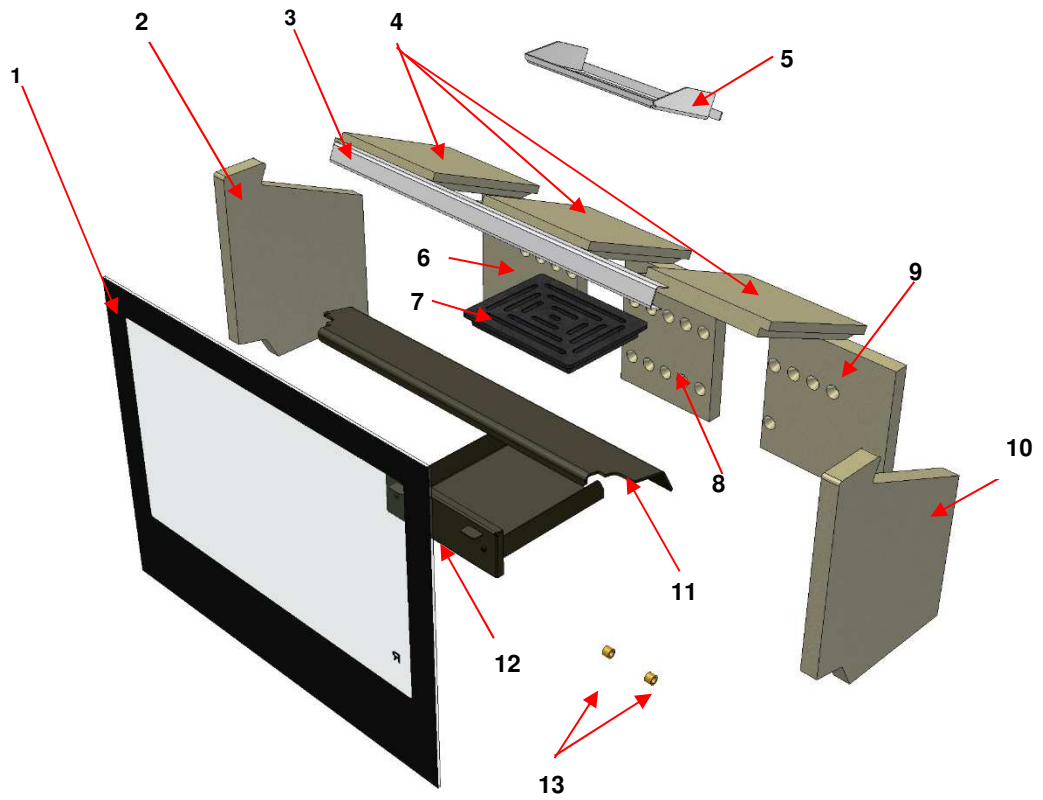
D.25



D.26



V

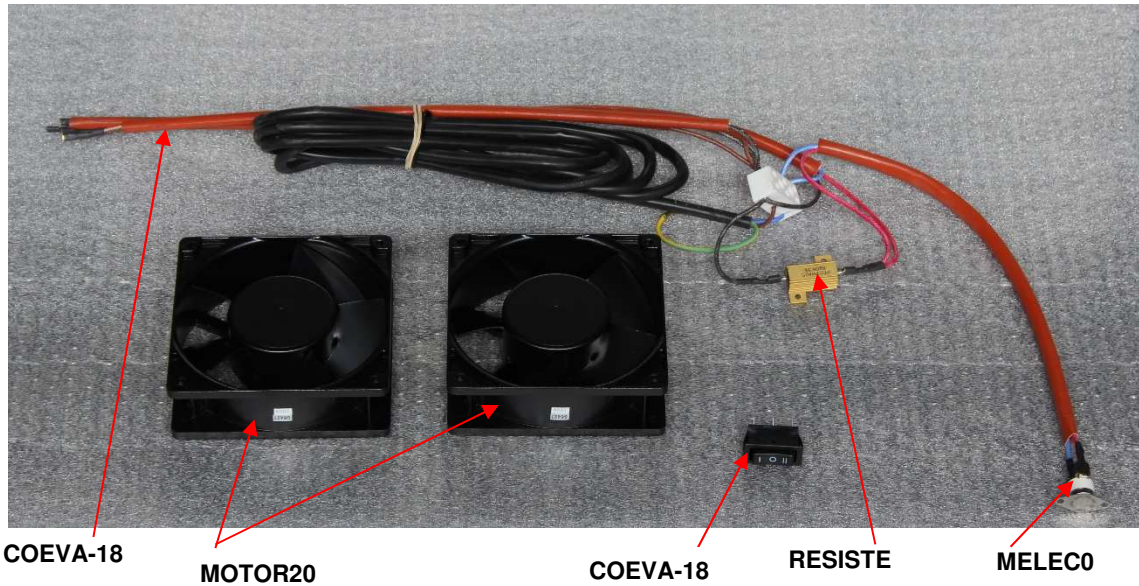


CODES

	HABIT 50 V +T	HABIT 70 A +T	HABIT 80 +T	HABIT 100 +T
1	M5746-200	M5708-200	M5711-200	M5716-200
2	VRM579-4	VRM5916-5	VRM5931-5	VRM5941-5
3	M5971-35	M5916-35	M5931-35	M5941-35
4	2*VRM5971-1	3*VRM5916-1	3*VRM5916-1	4*VRM5941-1
5	M5971-14	M5916-14	VRM5931-14	M5941-14
6	VRM579-3	VRM5916-3	VRM5931-3	2*VRM5941-4
7	FUM5900-400	FUM5900-400	FUM5900-400	FUM5900-400
8	N/A	VRM5916-2	VRM5931-2	VRM5941-3
9	VRM579-2	VRM5916-4	VRM5931-4	VRM5941-2
10	VRM579-4	VRM5916-1	VRM5931-5	VRM5941-5
11	M5971-18	M5916-18	M5931-18	M5941-18
12	M5971-28/29	M5916-28/29	M5931-28/29	M5941-28/29
13	2*TORN123	2*TORN123	2*TORN123	2*TORN123

V

HABIT 50 V +T / HABIT 70 A +T



HABIT 80 +T / HABIT 100 +T

