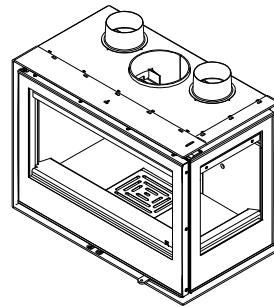
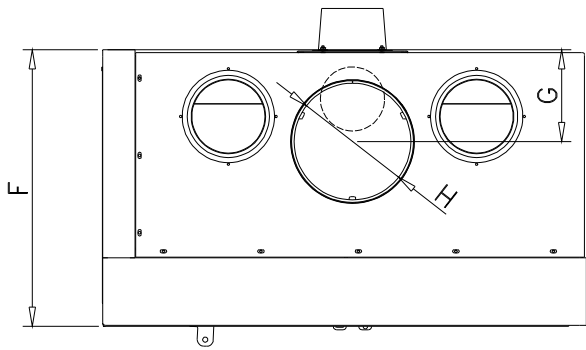
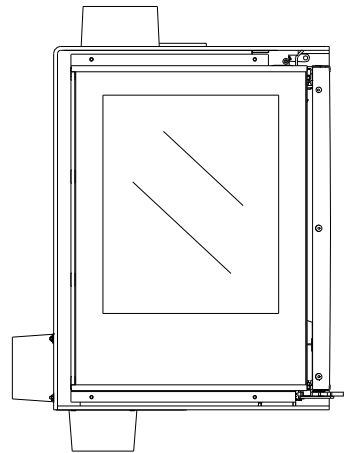
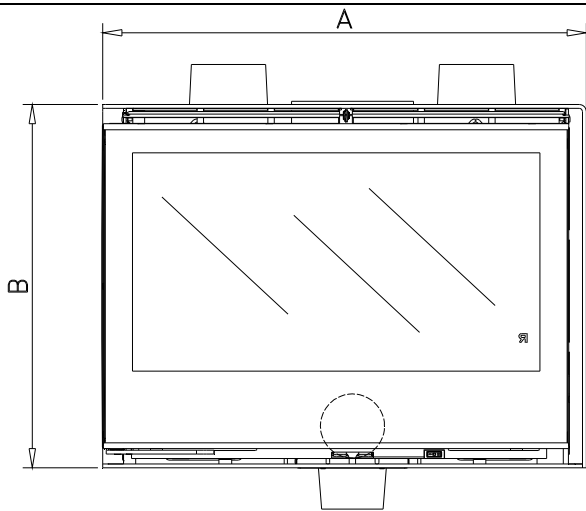


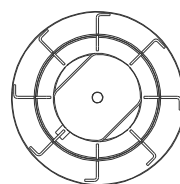
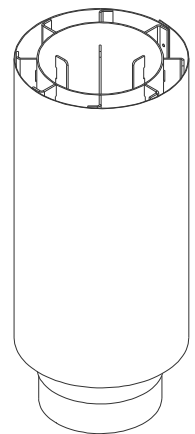
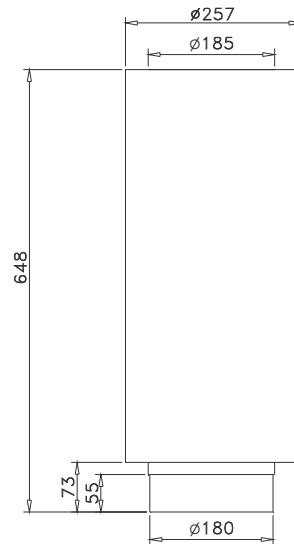
ANEXO/ANNEX/ANNEXE/ANESSO

I

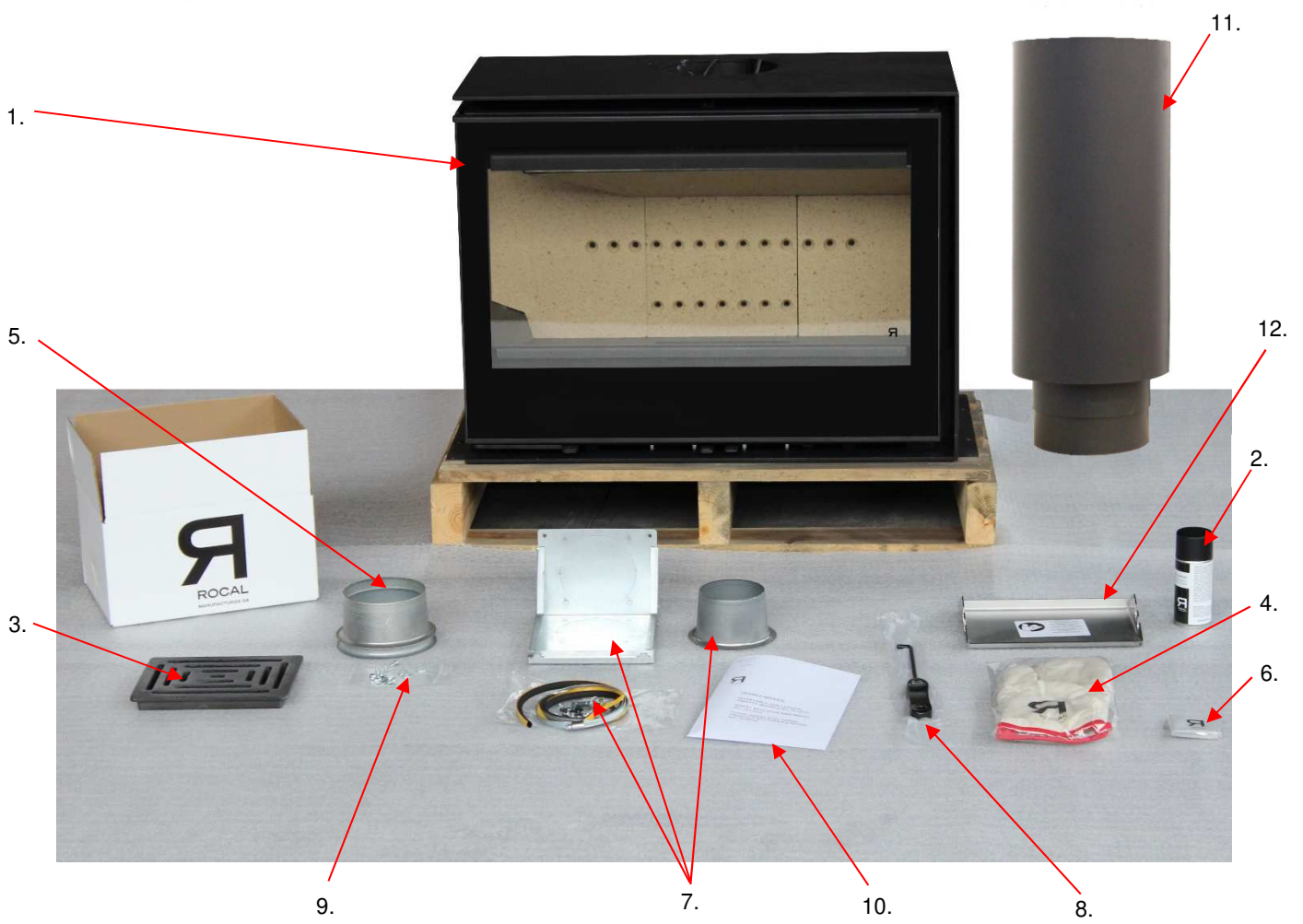


+Plus 180

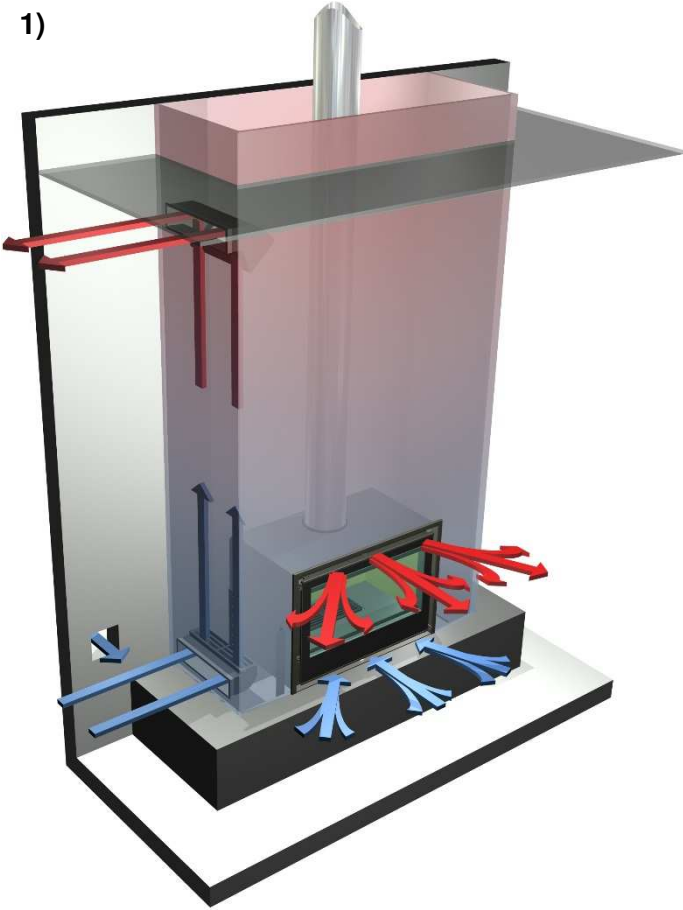
| mm | ARc 76 LD ARc 76 LI | ARc 96 LD ARc 96 LI |
|----|------------------------|------------------------|
| A | 755 | 955 |
| B | 567 | 592 |
| F | 430 | 430 |
| G | 143 | 143 |
| H | 180 | 180 |



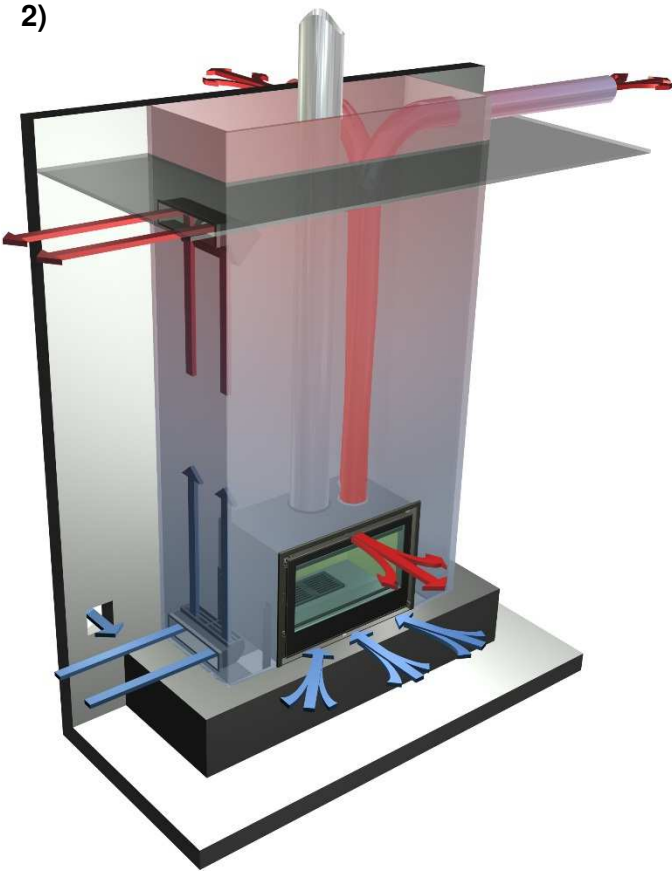
II



1)

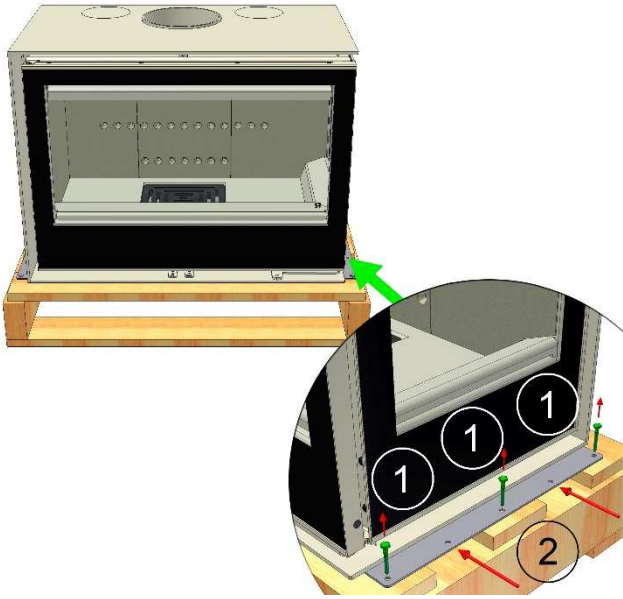


2)

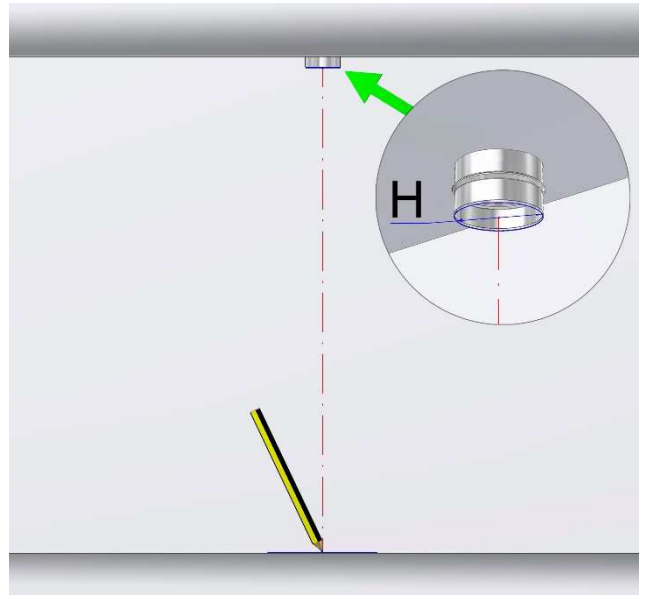


III

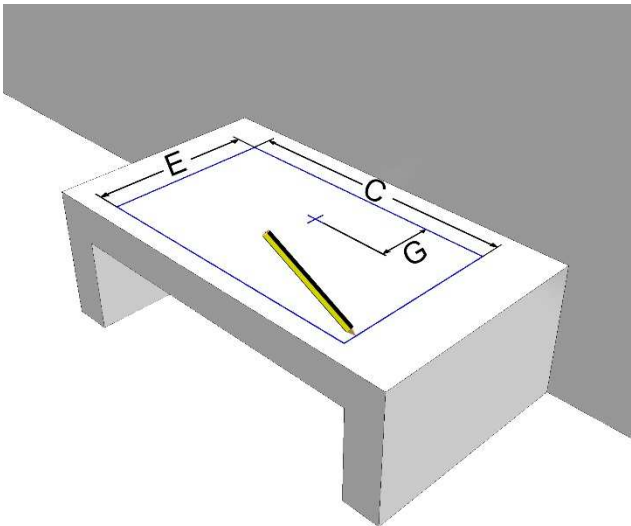
1



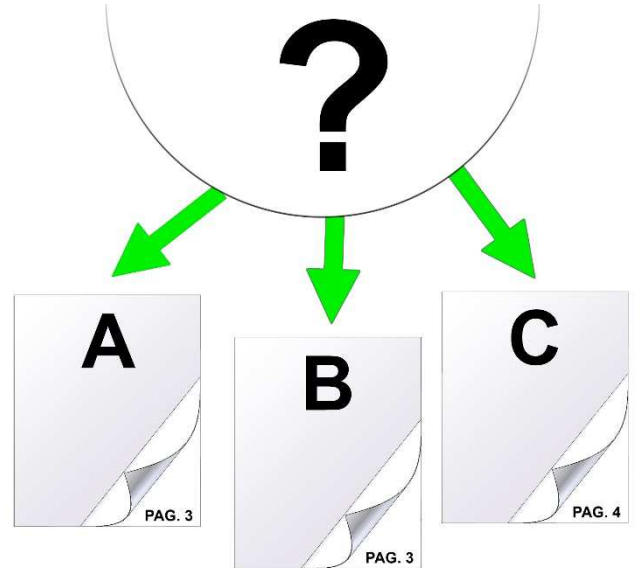
2



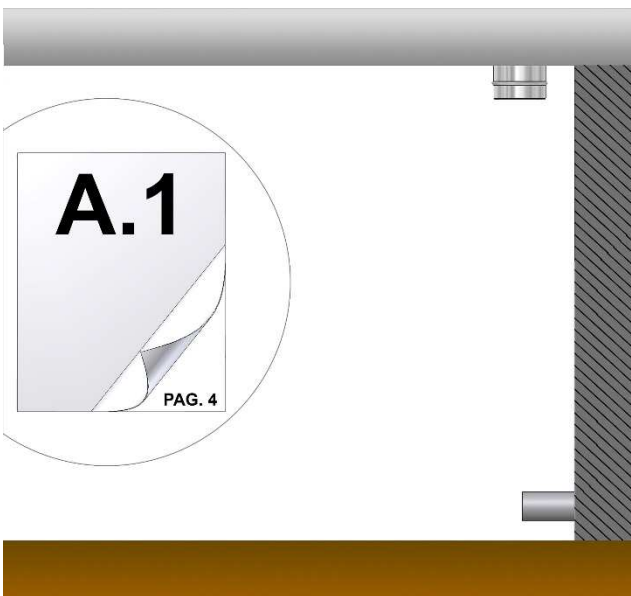
3



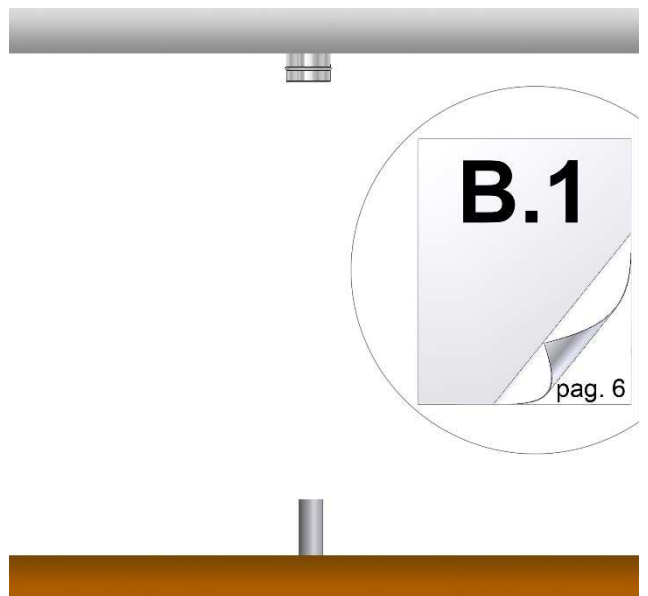
4



A

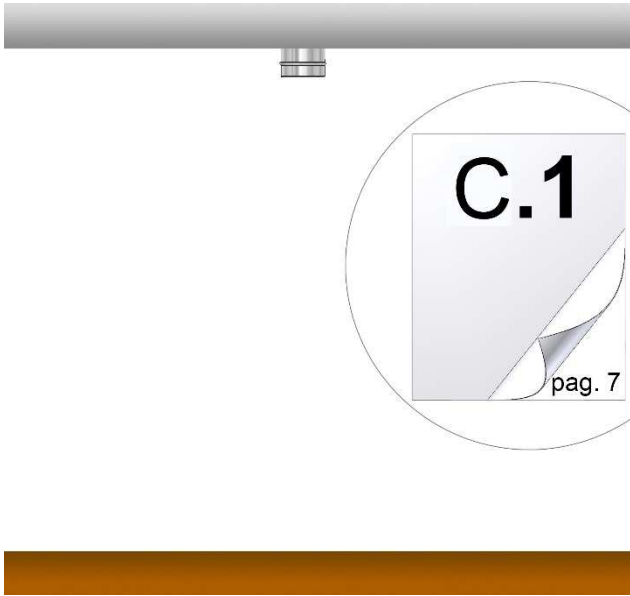


B

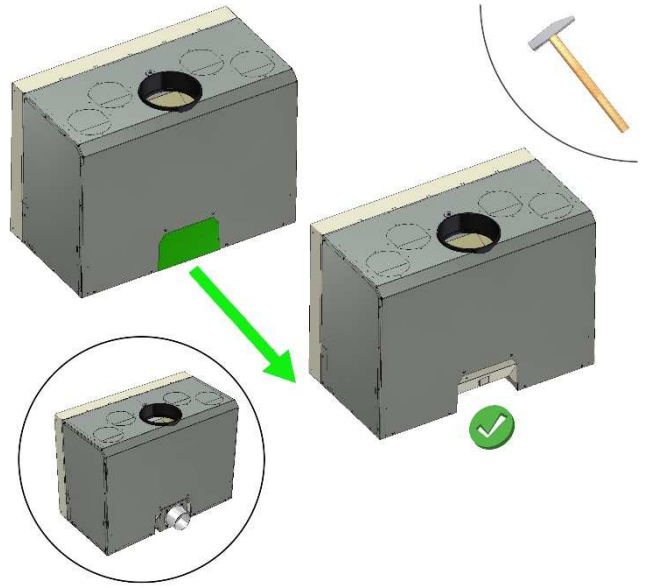


III

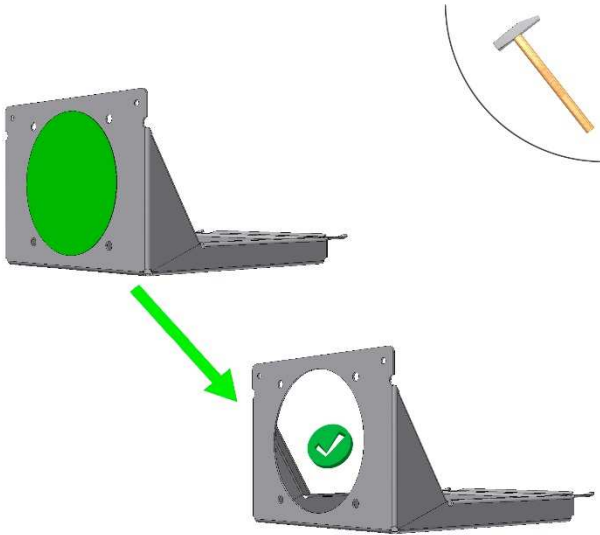
C



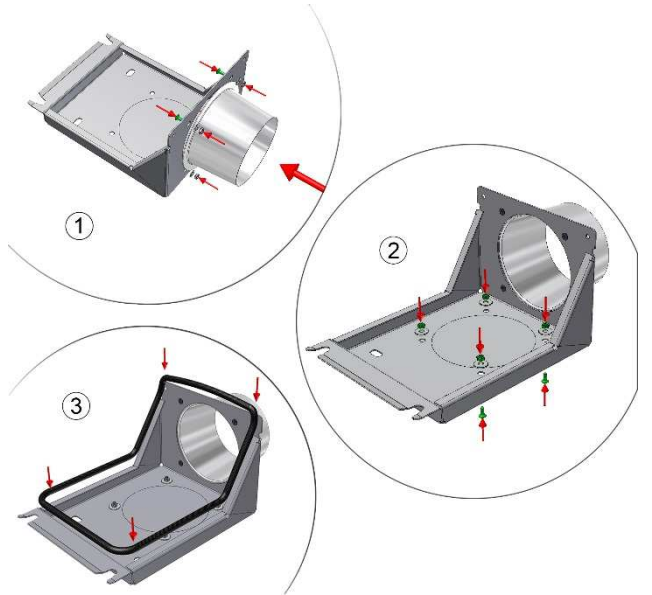
A.1



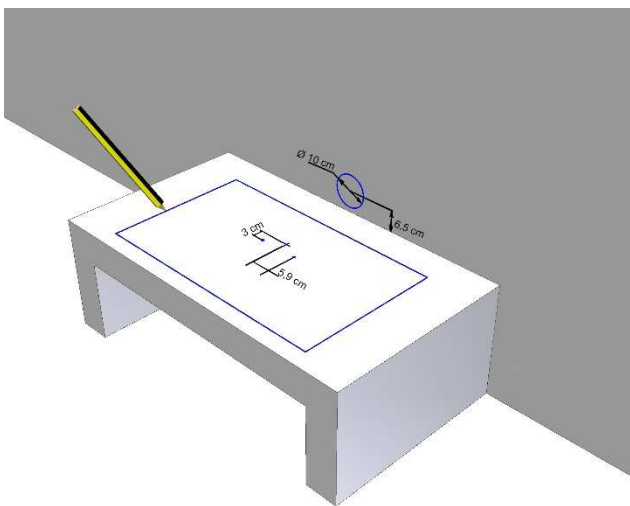
A.2



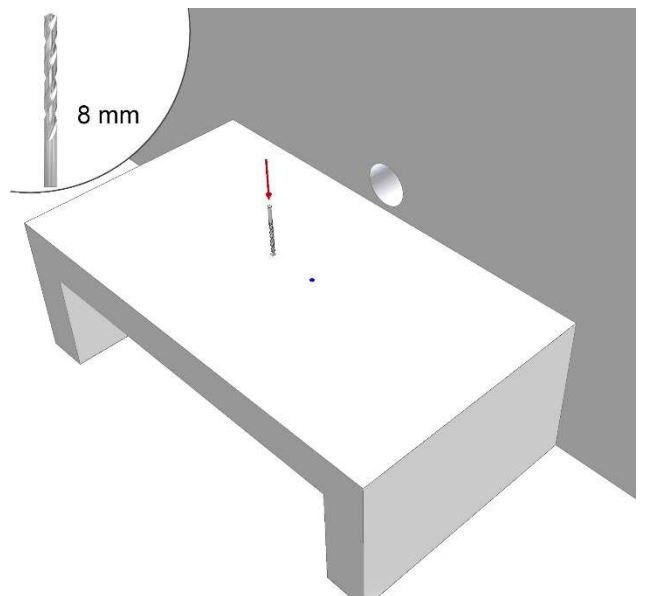
A.3



A.4

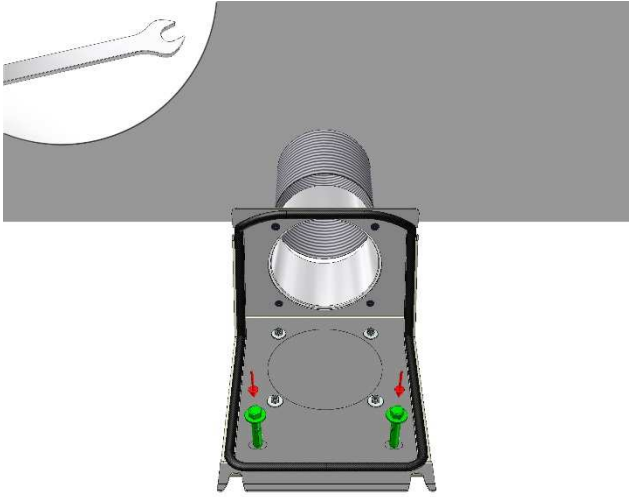


A.5

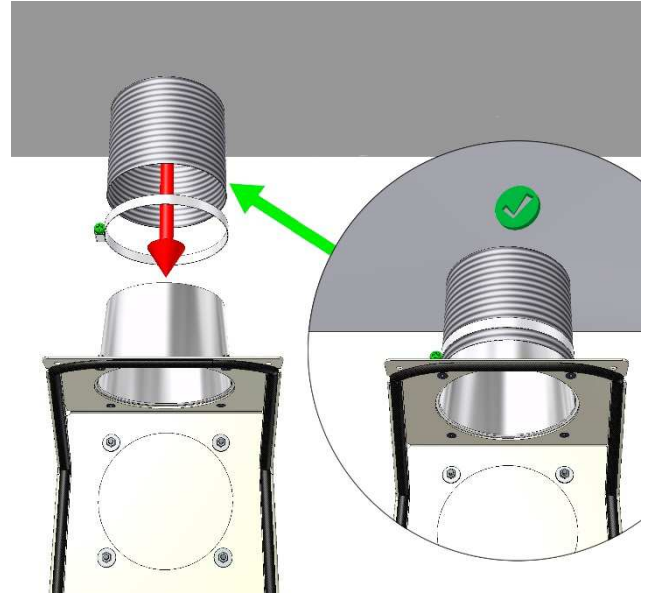


III

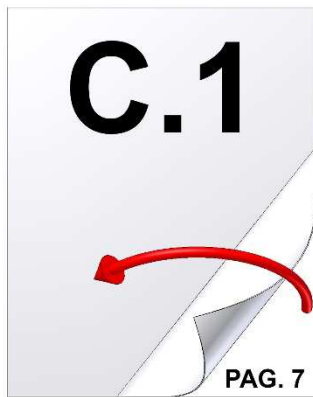
A.6



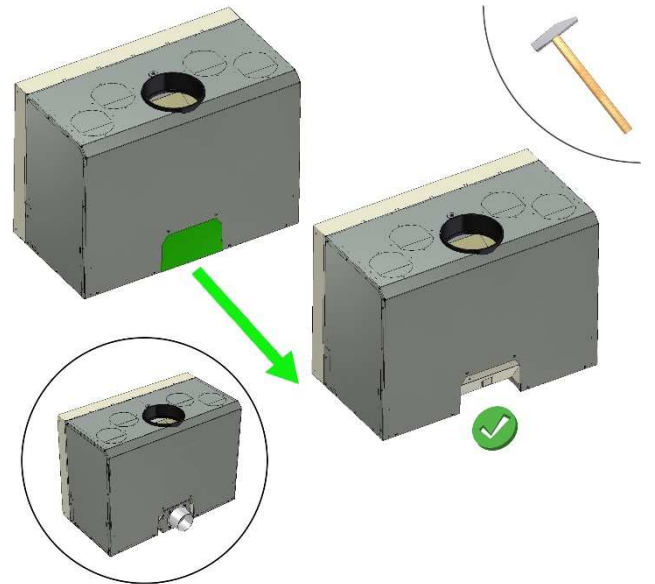
A.7



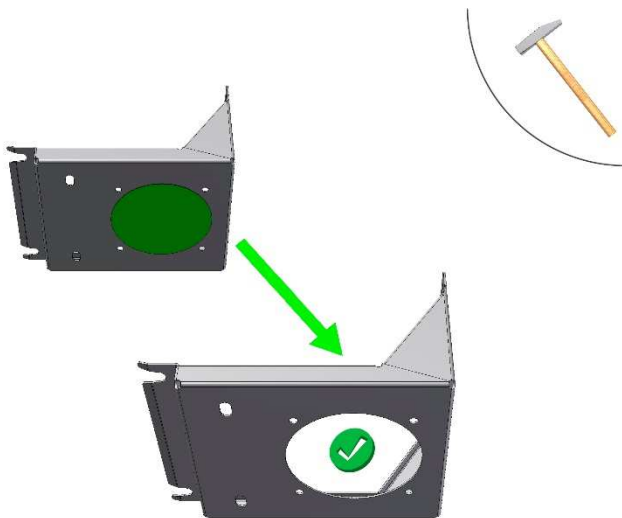
A.8



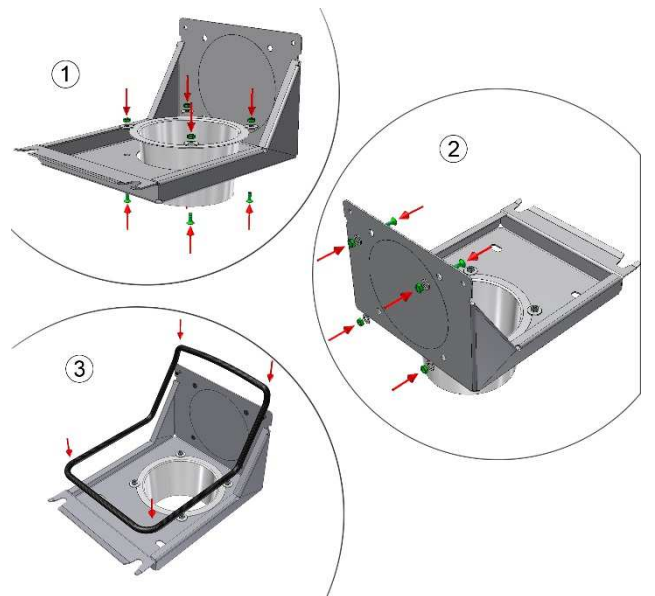
B.1



B.2

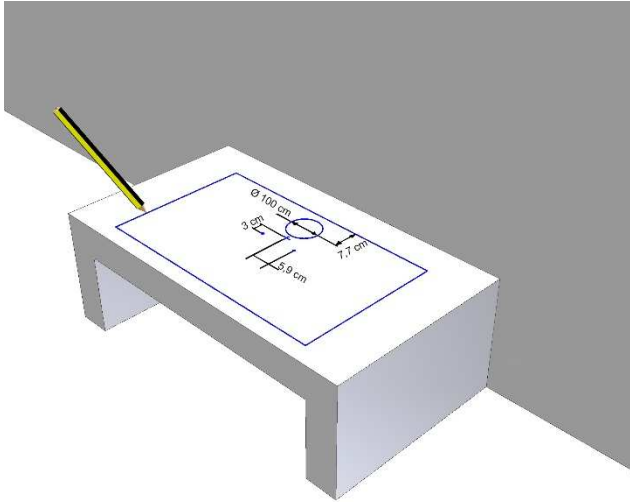


B.3

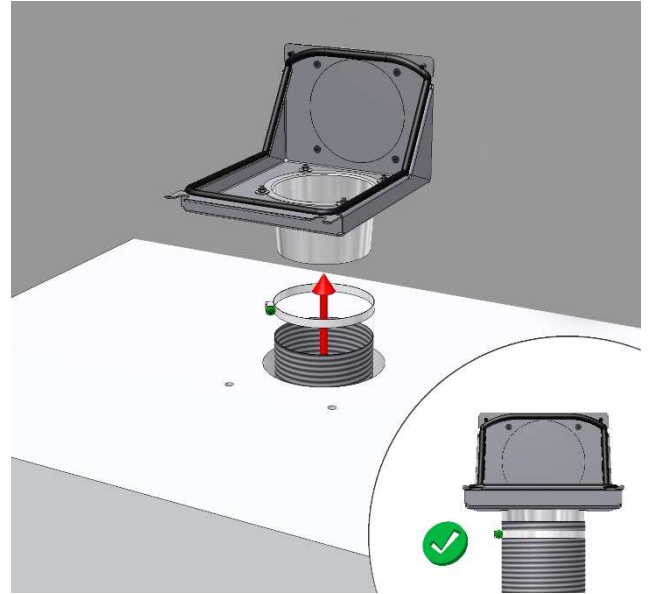


III

B.4



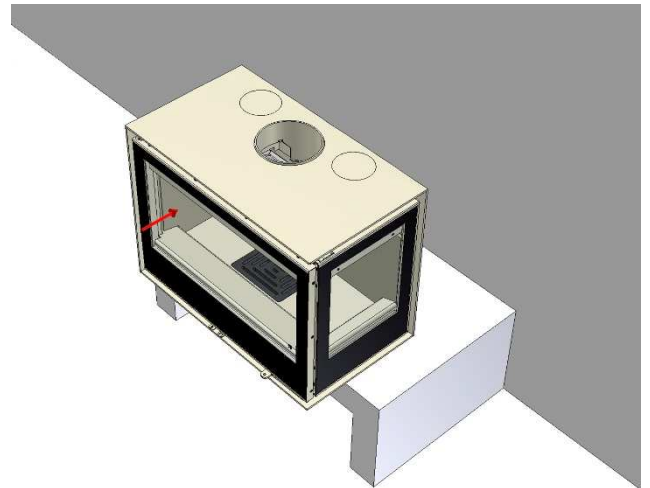
B.5



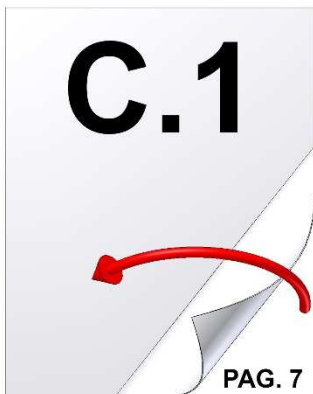
B.6



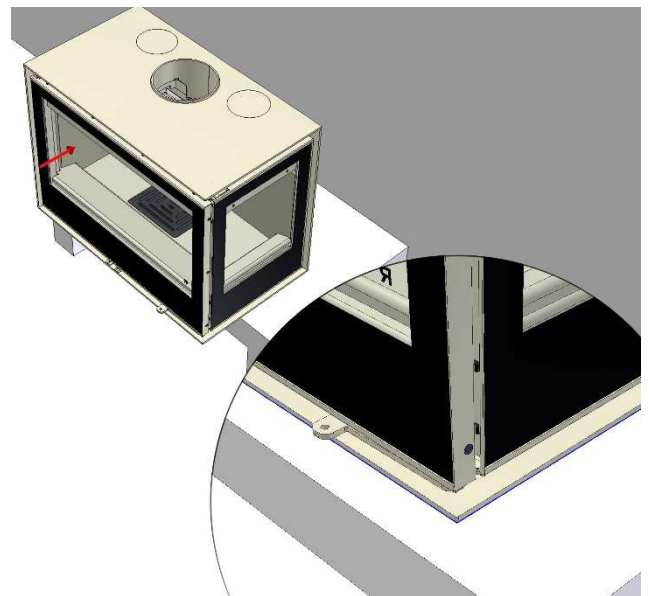
B.7



B.8

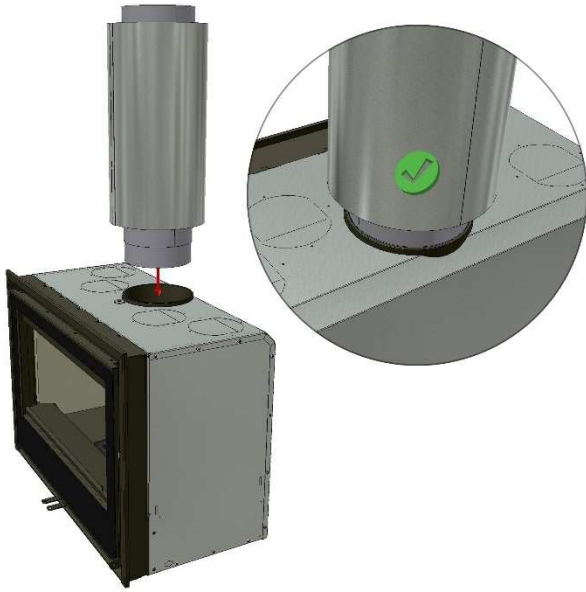


C.1

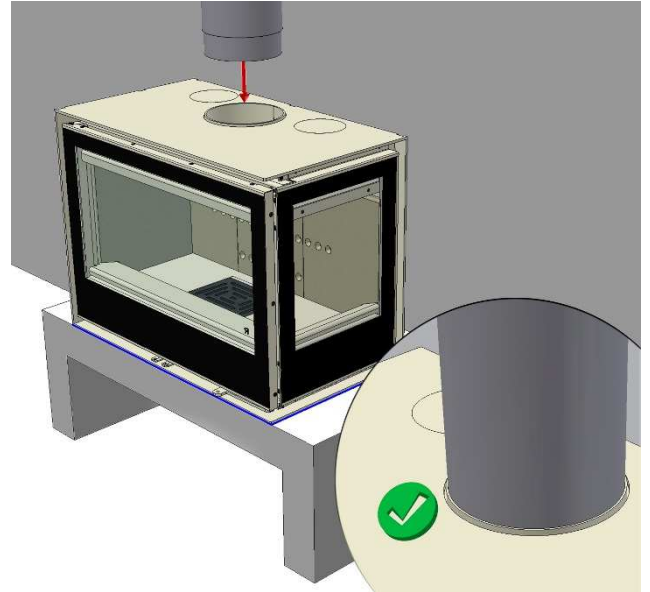


III

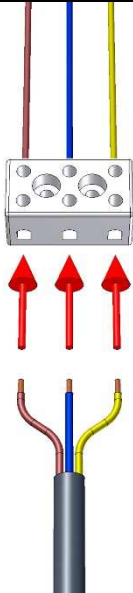
C.2 (+Plus 180)



C.2



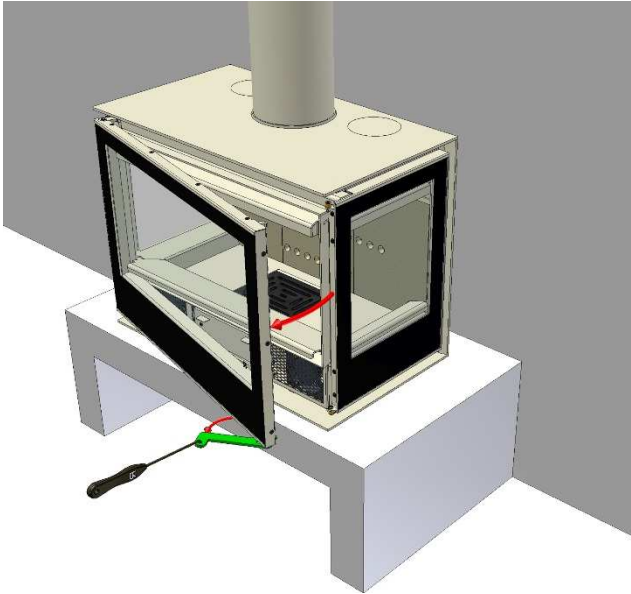
C.3



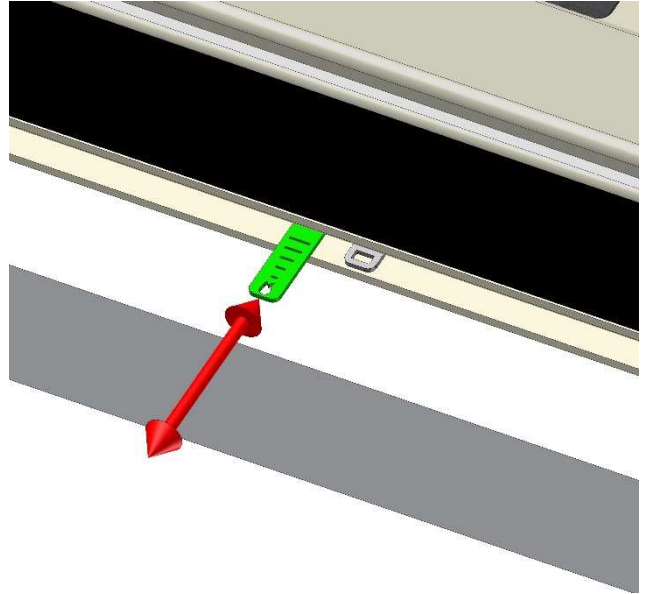
220/230 V AC
50/60 Hz

IV

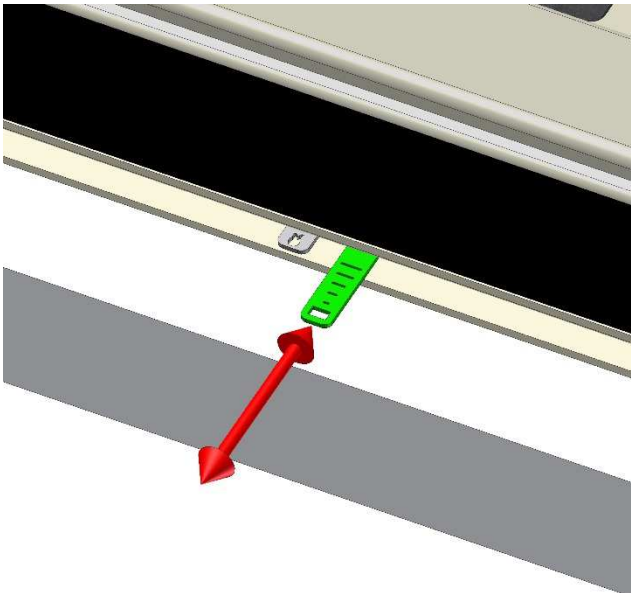
D.1



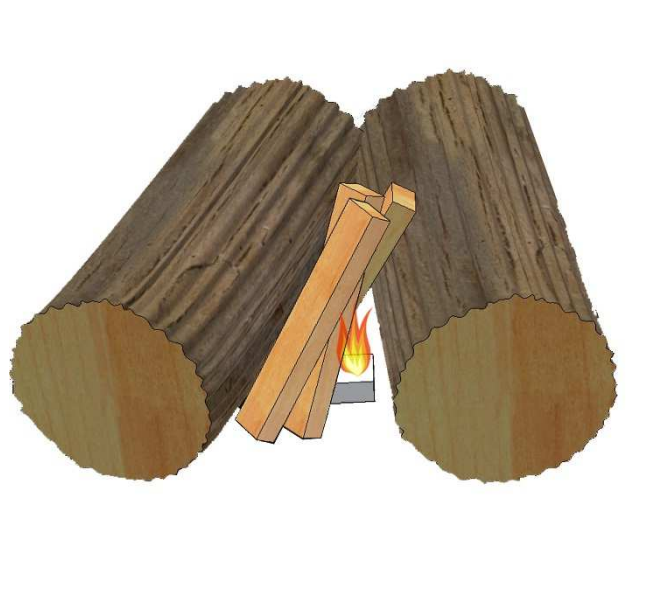
D.2



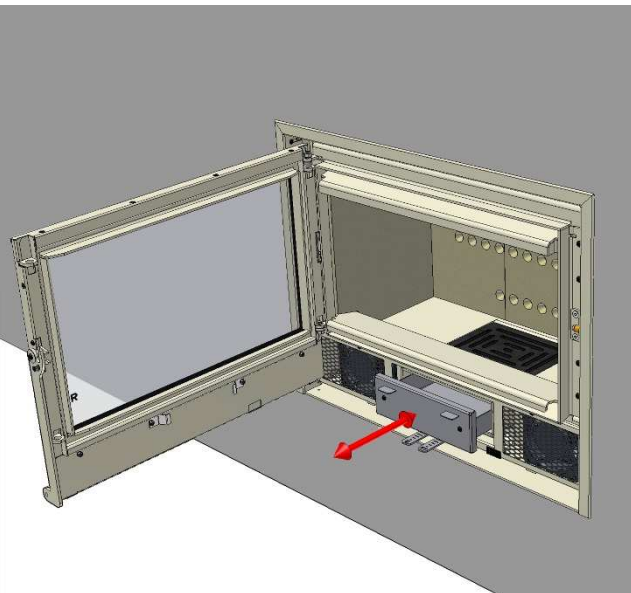
D.3



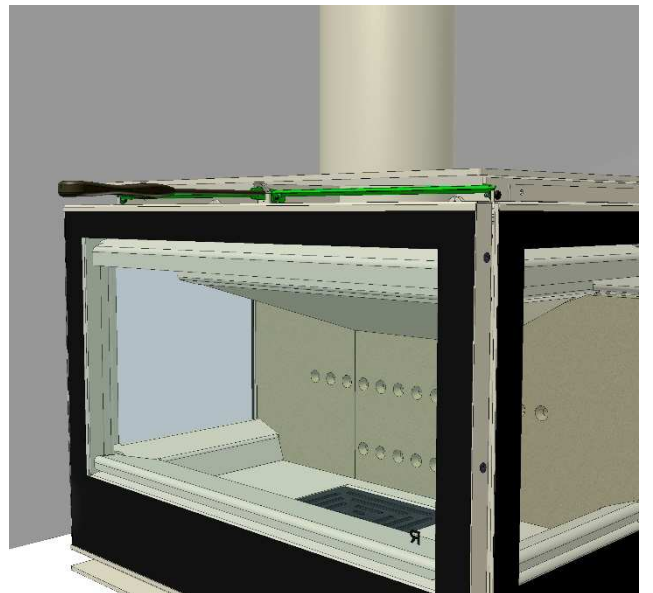
D.4



D.5

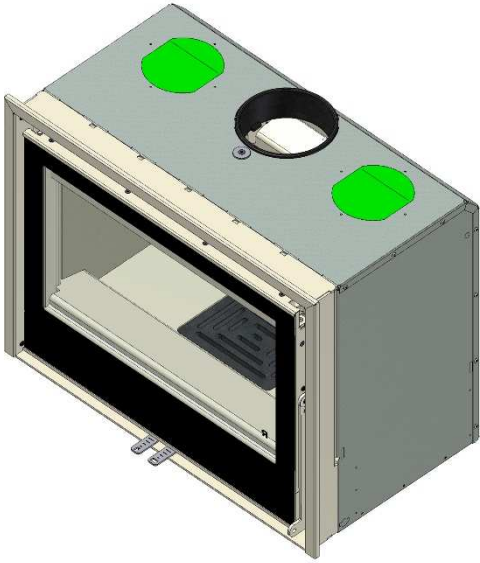


D.6

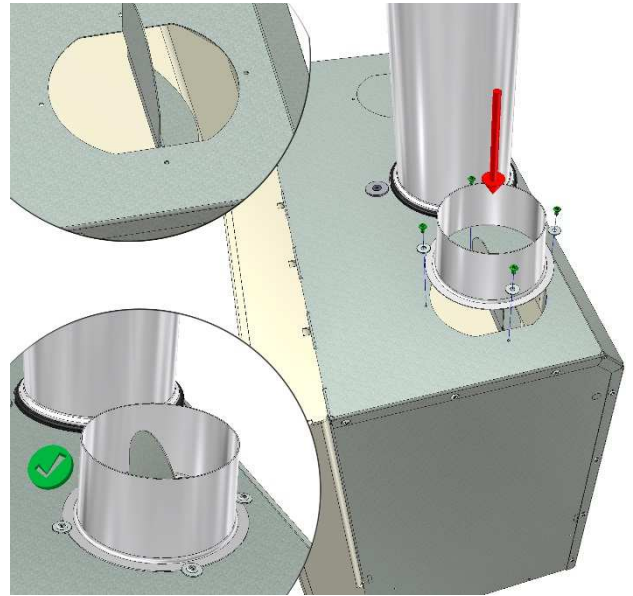


IV

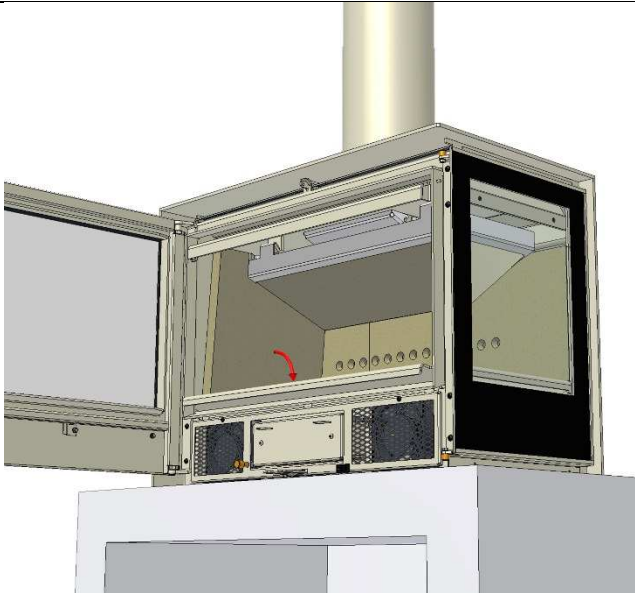
D.7



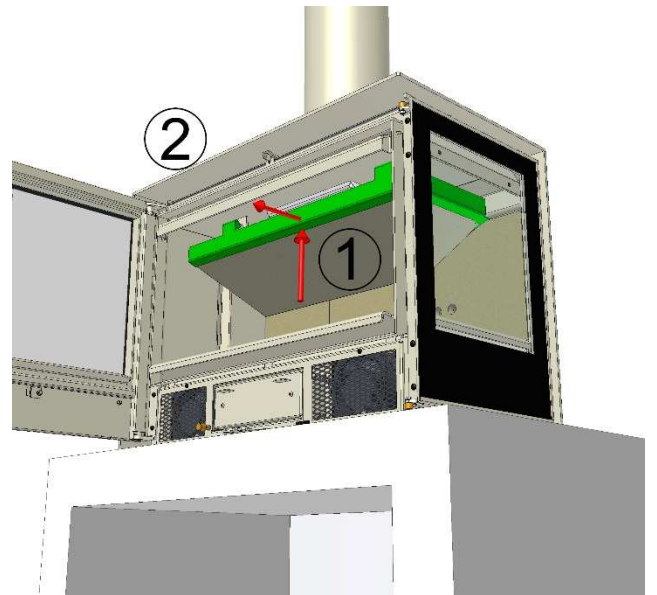
D.8



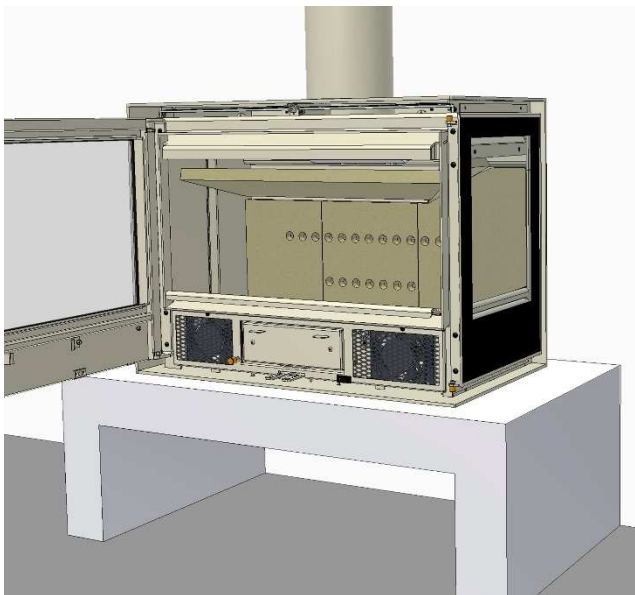
D.9



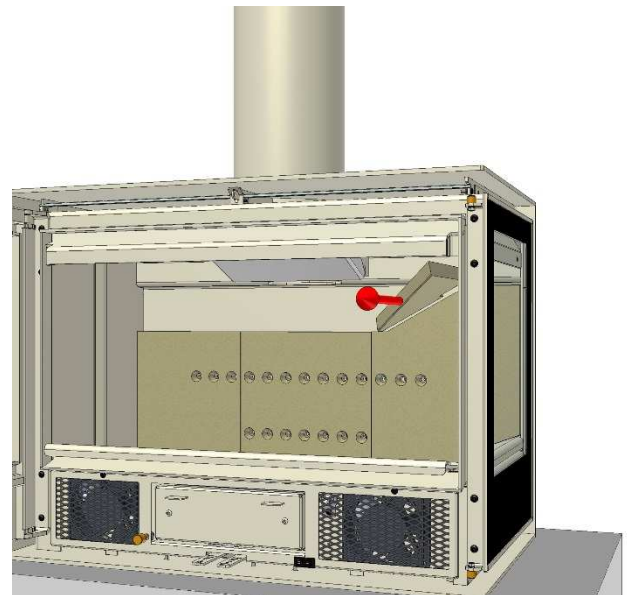
D.10



D.11

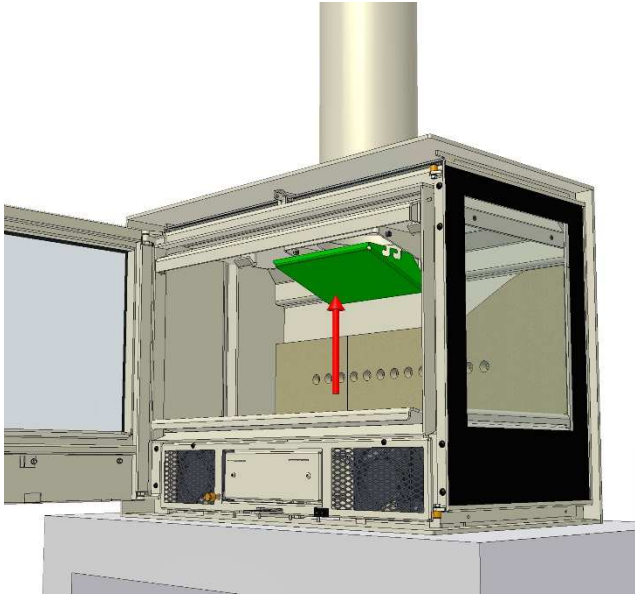


D.12

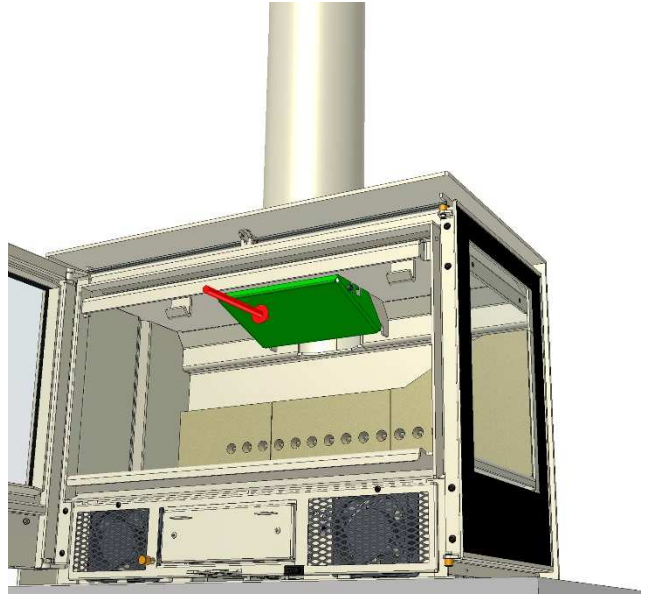


IV

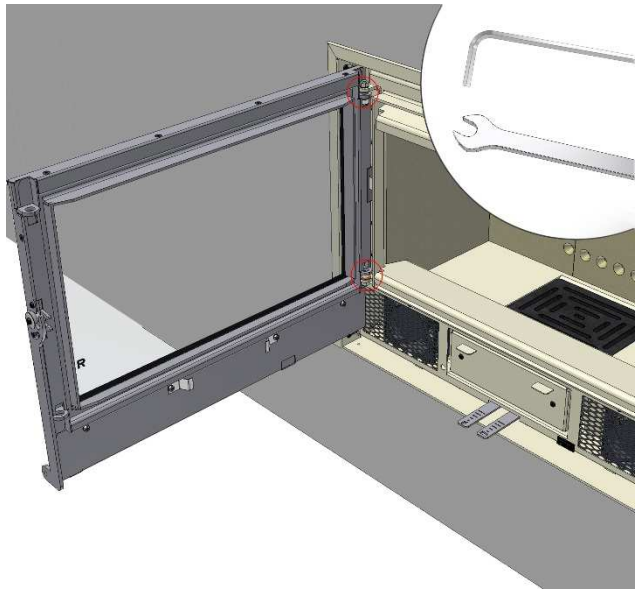
D.13



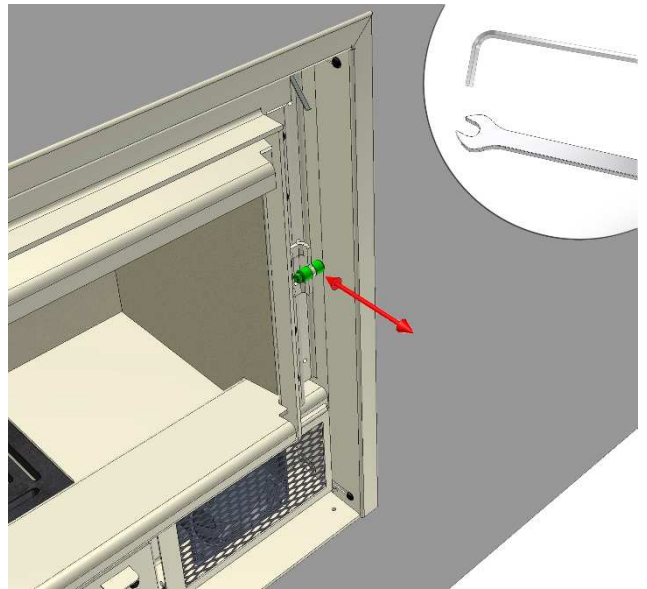
D.14



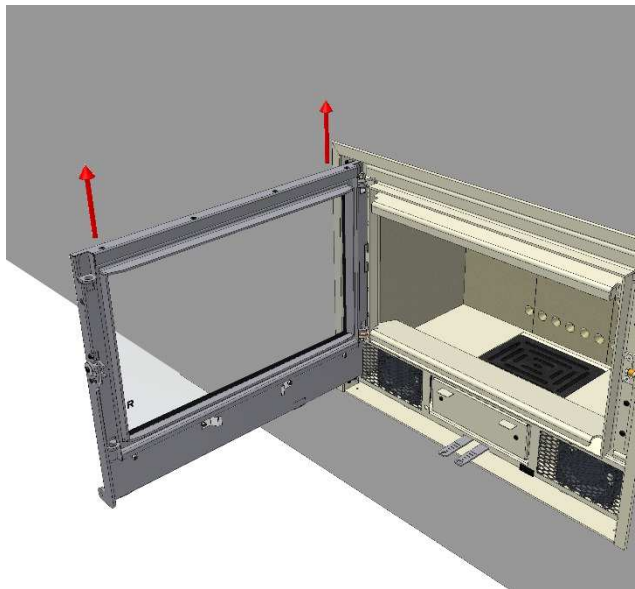
D.15



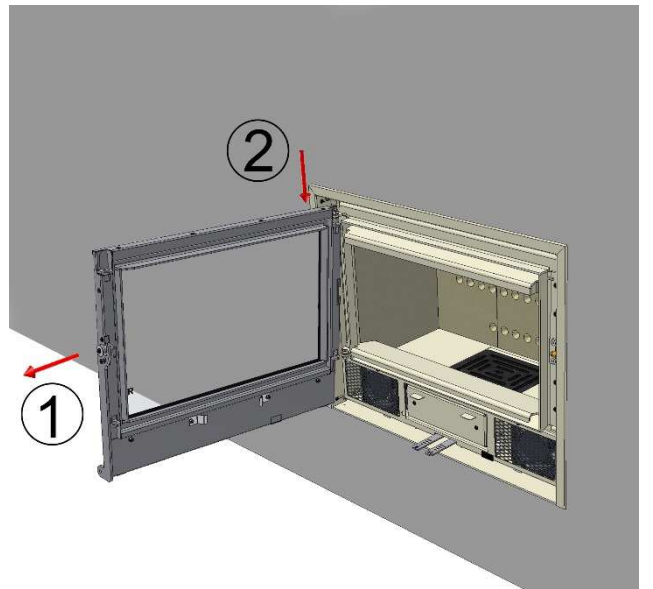
D.16



D.17

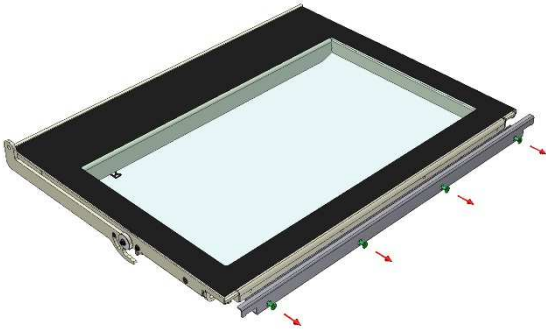


D.18

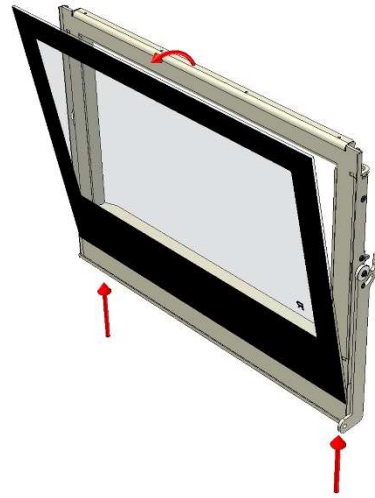


IV

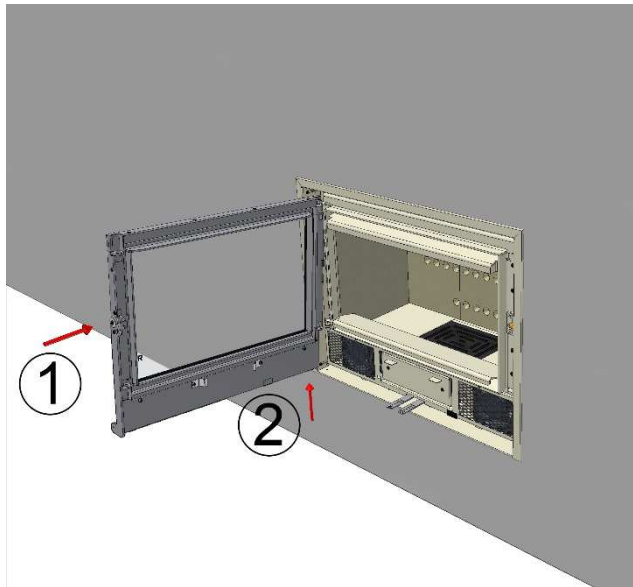
D.19



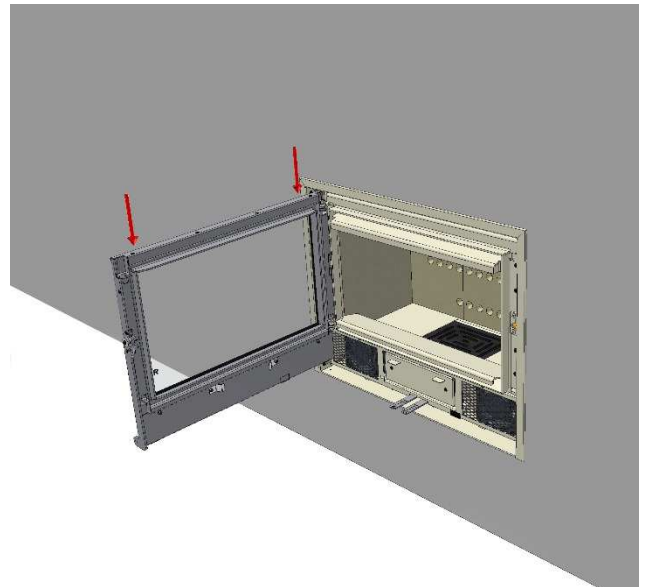
D.20



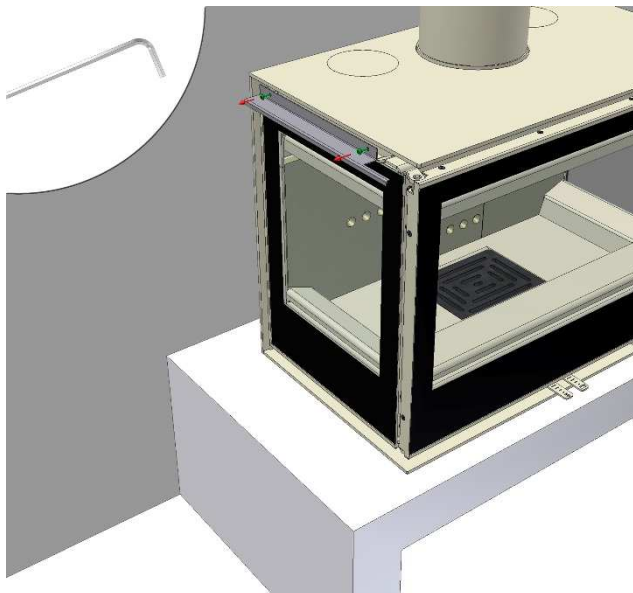
D.21



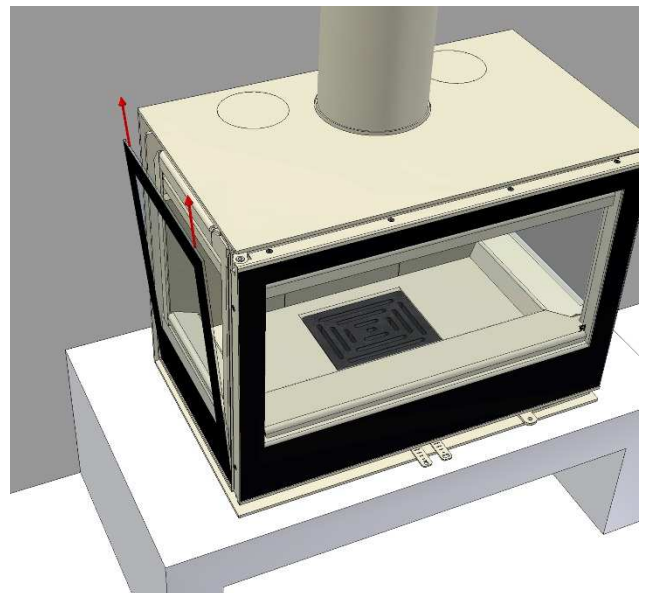
D.22



D.23

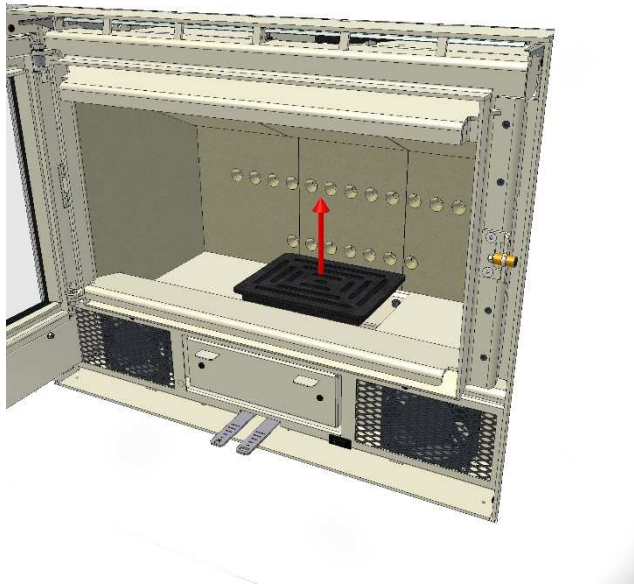


D.24

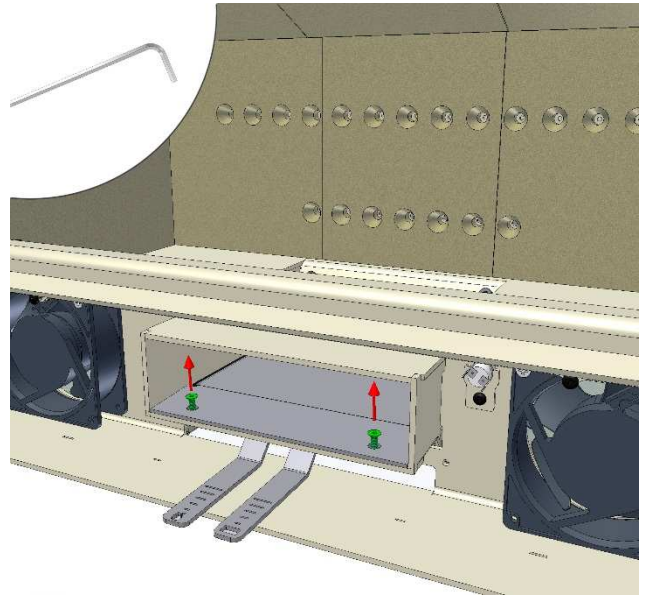


IV

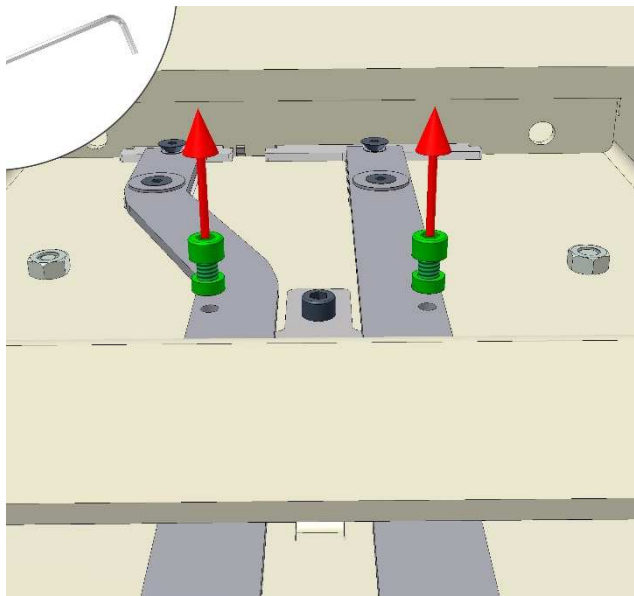
D.25



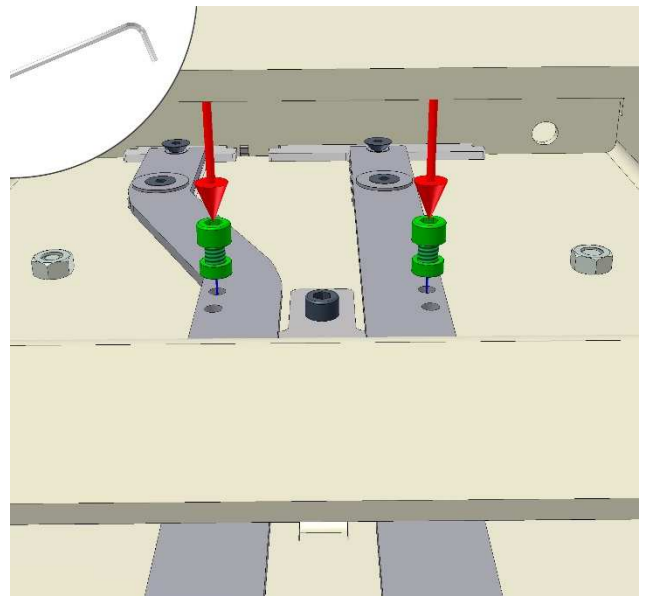
D.26



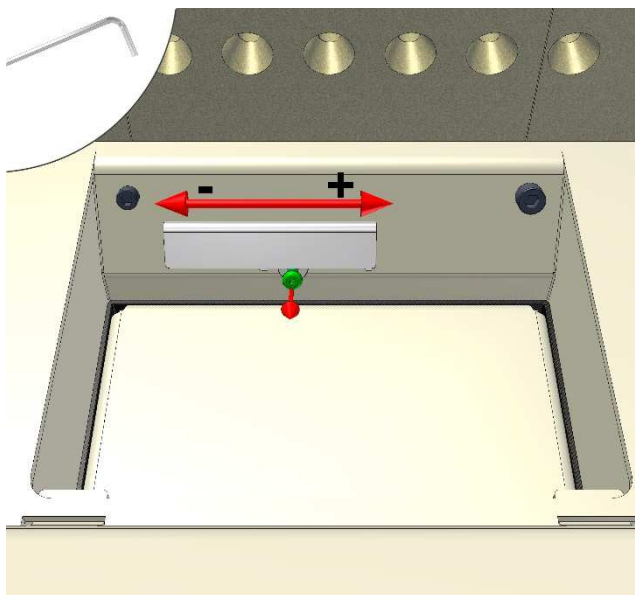
D.27



D.28

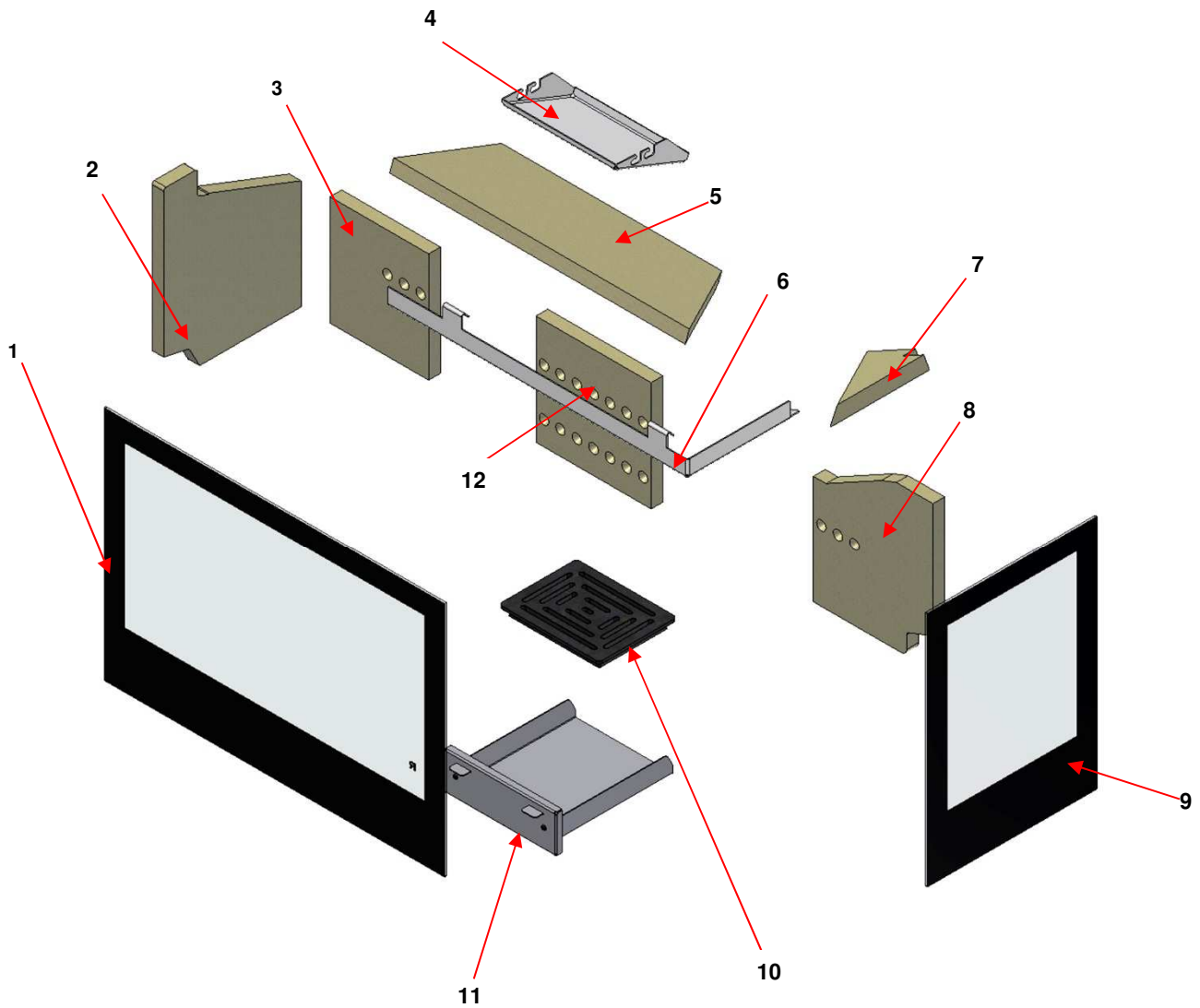


D.29



D.30

V



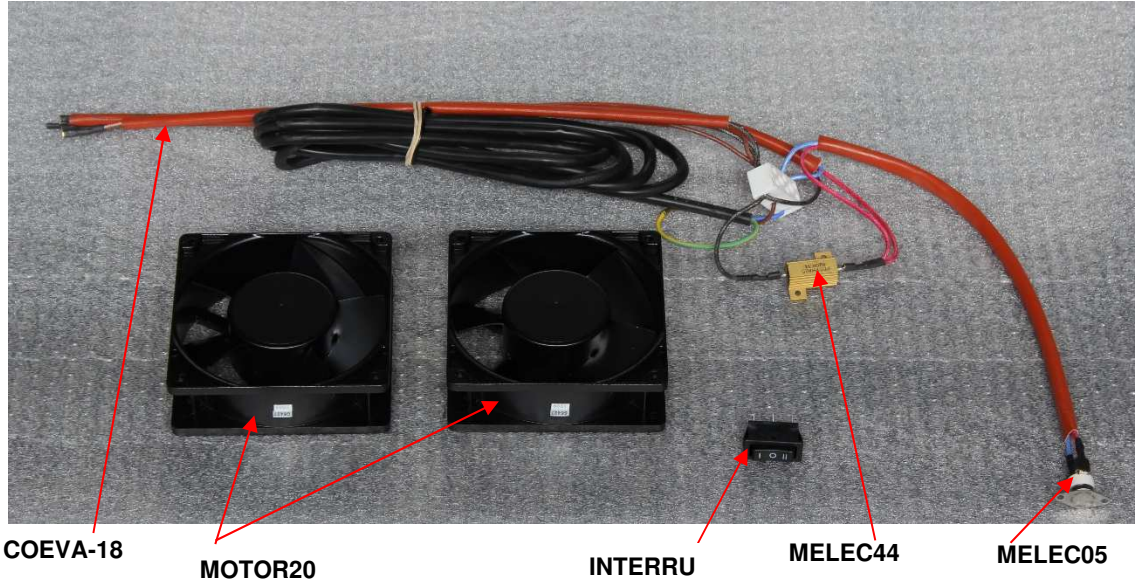
CODES

| | ARc 76 LD ARc 76 LD +Plus 180 | ARc 76 LI ARc 76 LI +Plus 180 | ARc 96 LD ARc 96 LD +Plus 180 | ARc 96 LI ARc 96 LI +Plus 180 |
|----|--|--|--|--|
| 1 | M5746-200 | M5746-200 | M5716-200 | M5716-200 |
| 2 | VRM5952-6 | VRM5953-6 | VRM5955-7 | VRM5956-7 |
| 3 | VRM5952-4 | VRM5953-4 | VRM5955-5 | VRM5956-5 |
| 4 | M5952-14 | M5953-14 | M5952-14 | M5953-14 |
| 5 | VRM5952-1 | VRM5953-1 | VRM5955-1/2 | VRM5956-1/2 |
| 6 | M5952-30 | M5953-30 | M5954-30 | M5956-30 |
| 7 | VRM5952-2 | VRM5953-2 | VRM5955-3 | VRM5956-3 |
| 8 | VRM5952-5 | VRM5953-5 | VRM5955-6 | VRM5956-6 |
| 9 | M5952-200b | M5953-200B | M5955-200B | M5956-200B |
| 10 | FUM5900-400 | FUM5900-400 | FUM5900-400 | FUM5900-400 |
| 11 | M5952-28/29 | M5953-28/29 | M5955-28/29 | M5956-28/29 |
| 12 | VRM5952-3 | VRM5953-3 | VRM5955-4 | VRM5956-4 |

V

ARc 76 LD, ARc 76 LI

ARc 76 LD +Plus 180 , ARc 76 LI +Plus 180



ARc 96 LD, ARc 96 LI

ARc 96 LD +Plus 180 , ARc 96 LI +Plus 180

