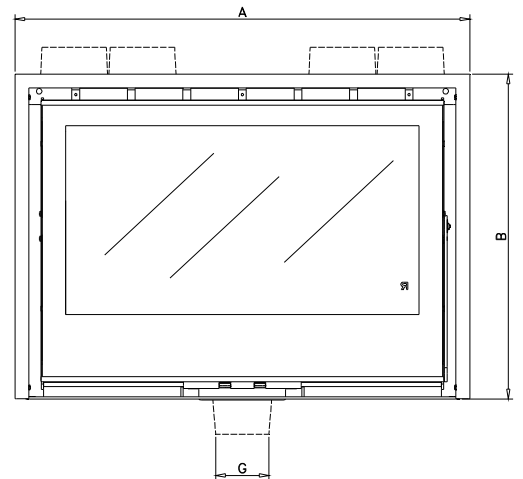
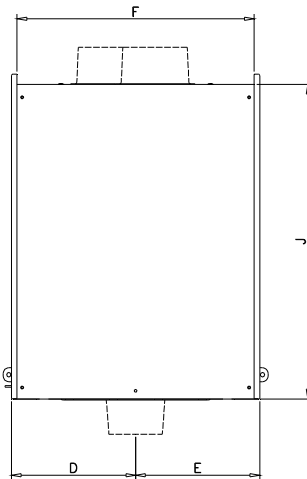
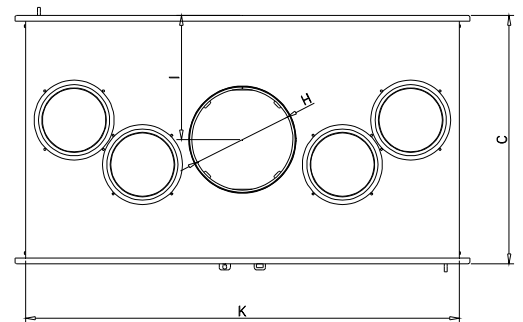


ANEXO/ANNEX/ANNEXE/ANESSO

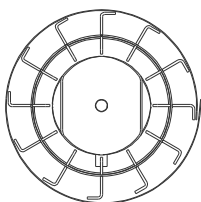
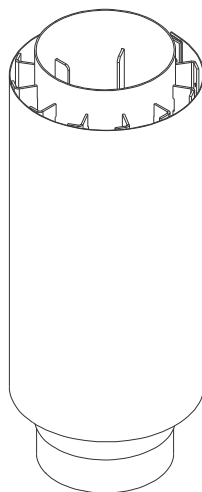
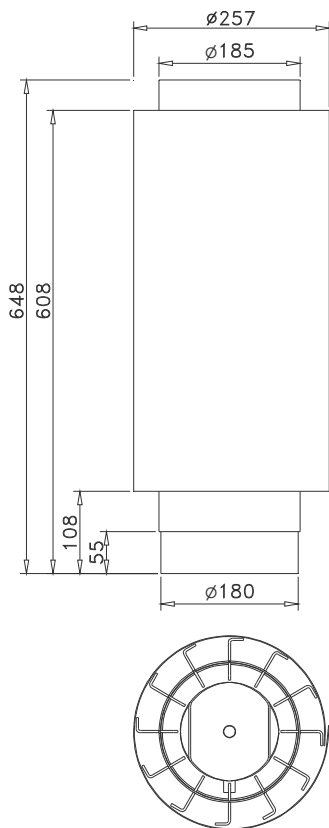
I



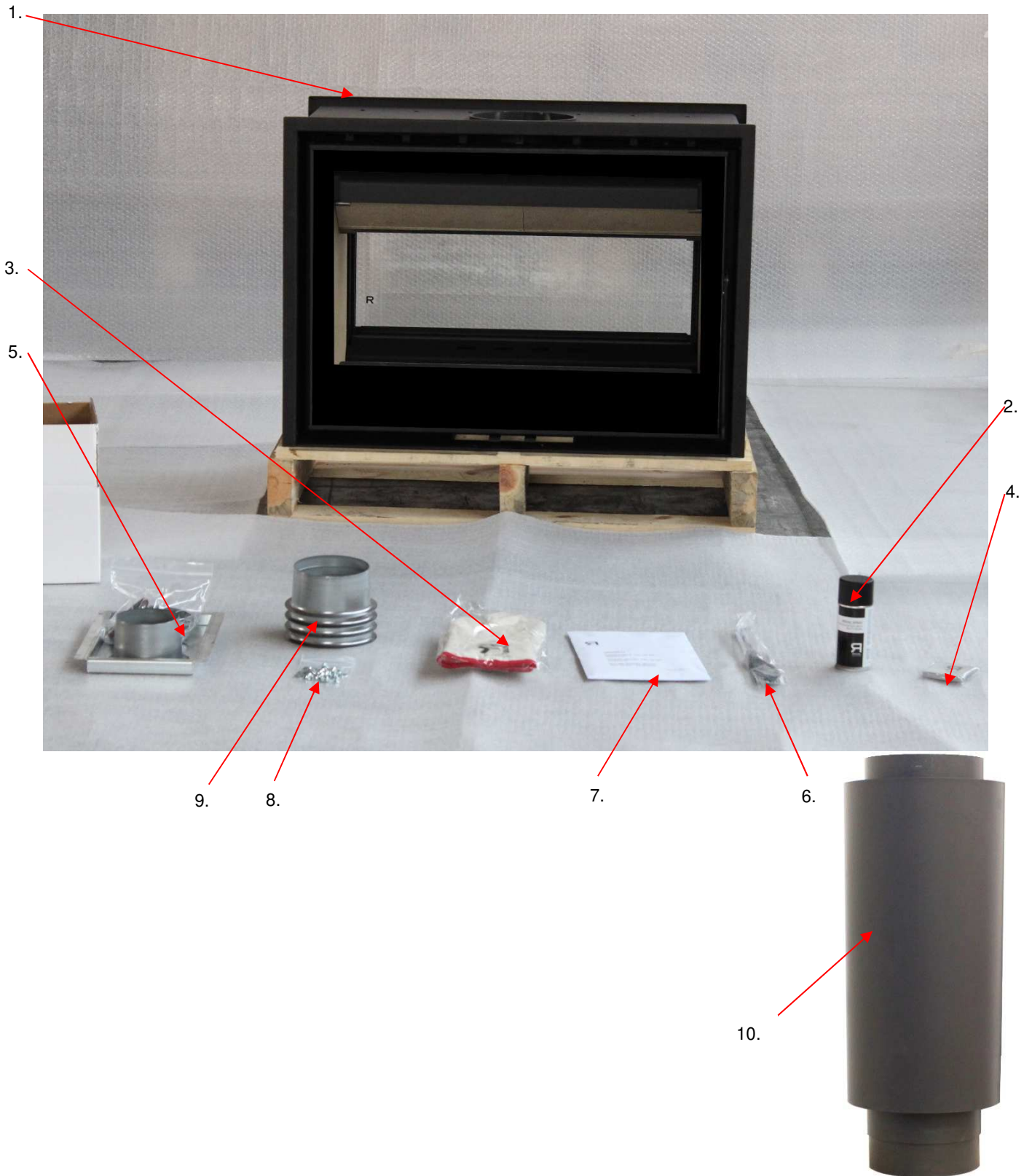
mm	ARc 80 DC ARc 80 DC +Plus 180	ARc 100 DC ARc 100 DC +Plus 180
A	819	1019
B	585	610
C	447	447
D	223	223
E	223	223
F	427	427
G	119	119
H	180	180
I	223	223



Plus 180

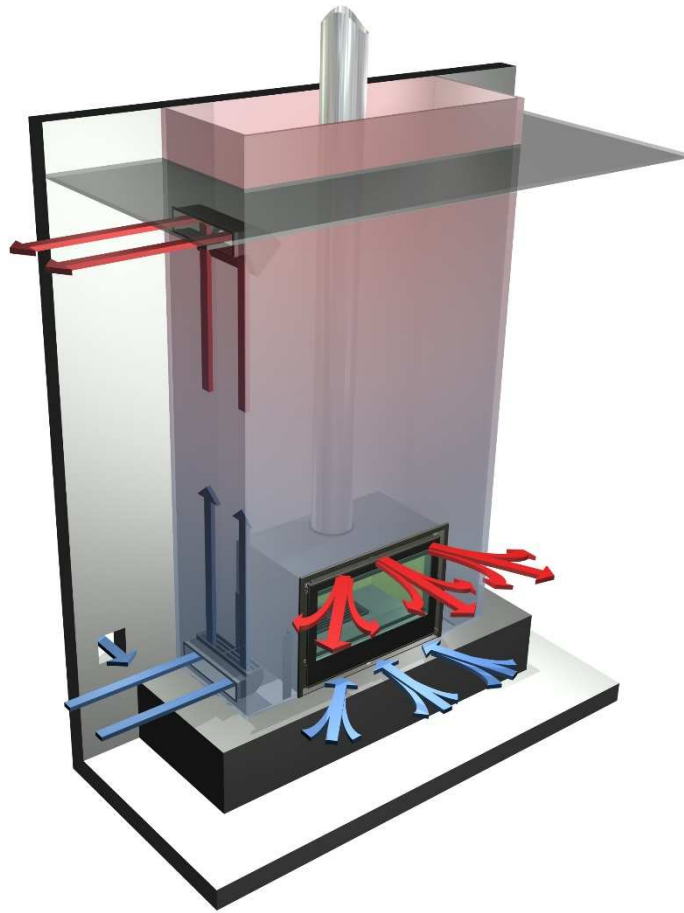


II

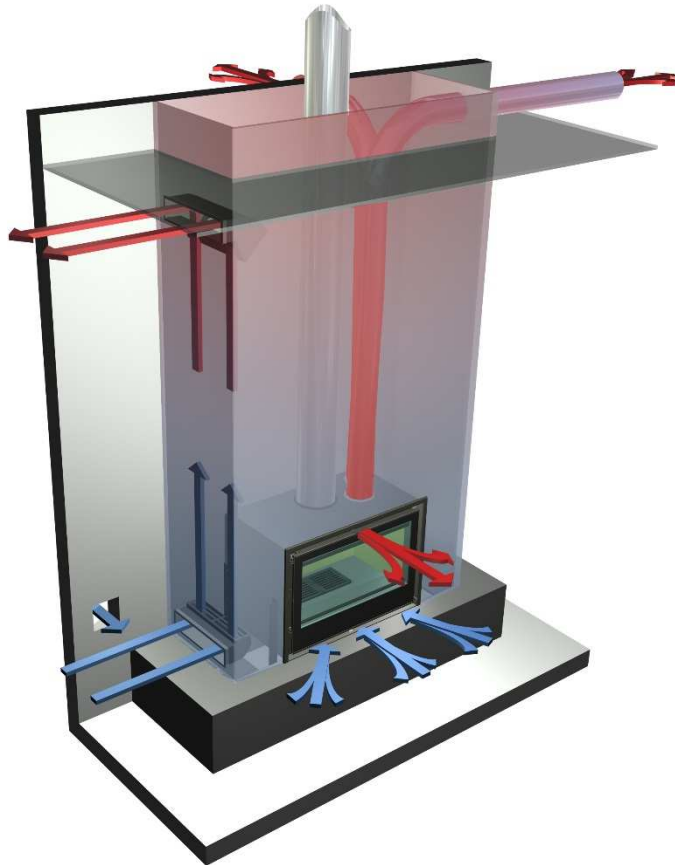


III

1)

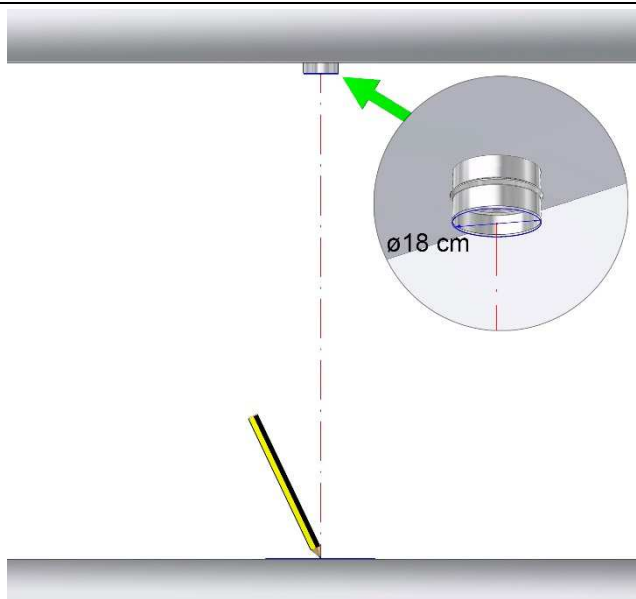


2)

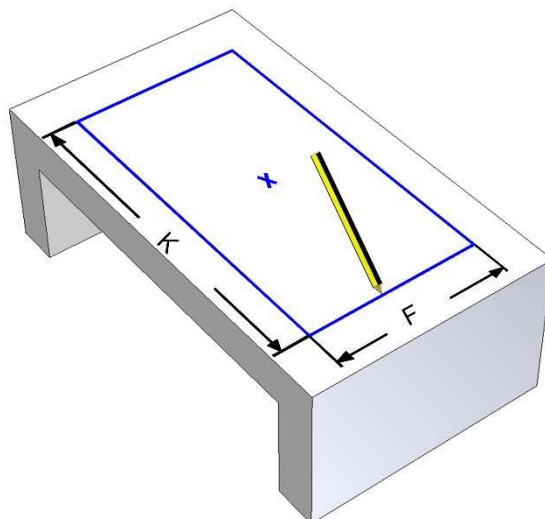


III

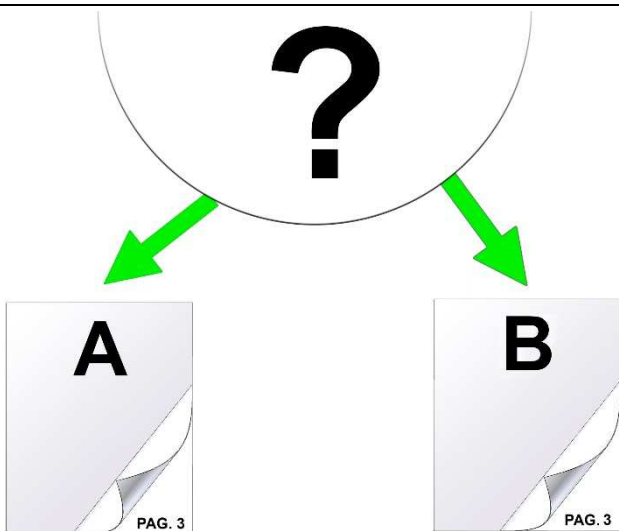
1



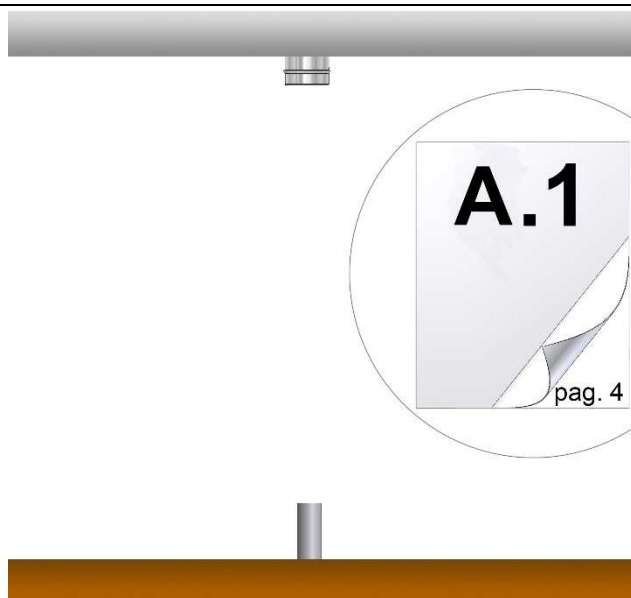
2



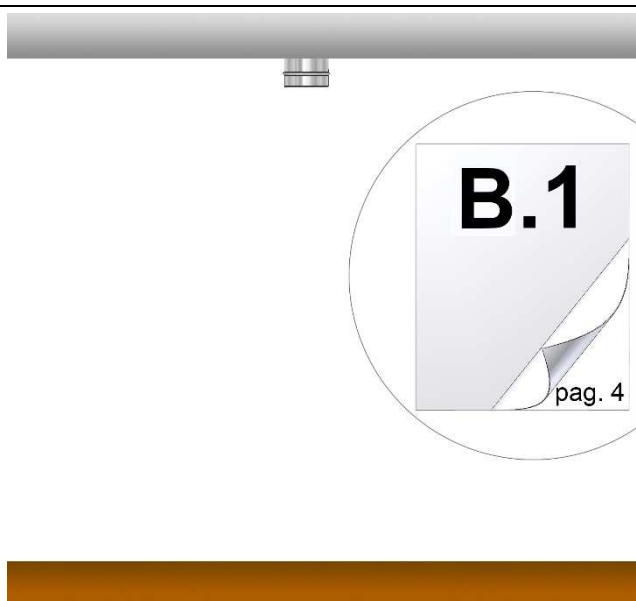
3



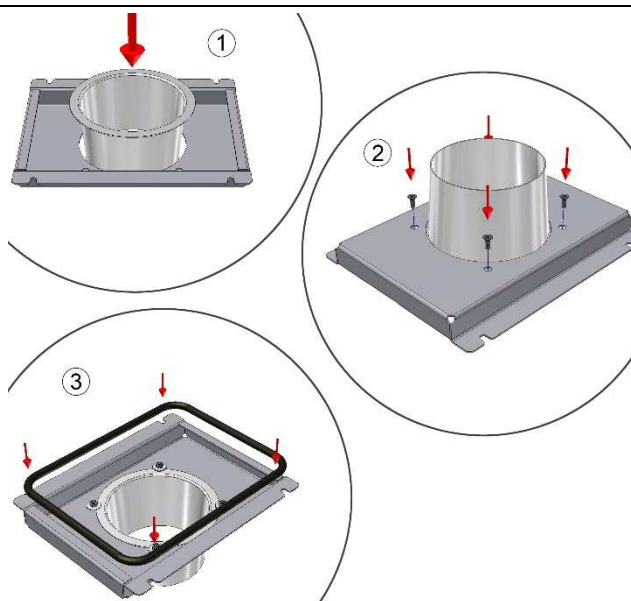
A



B

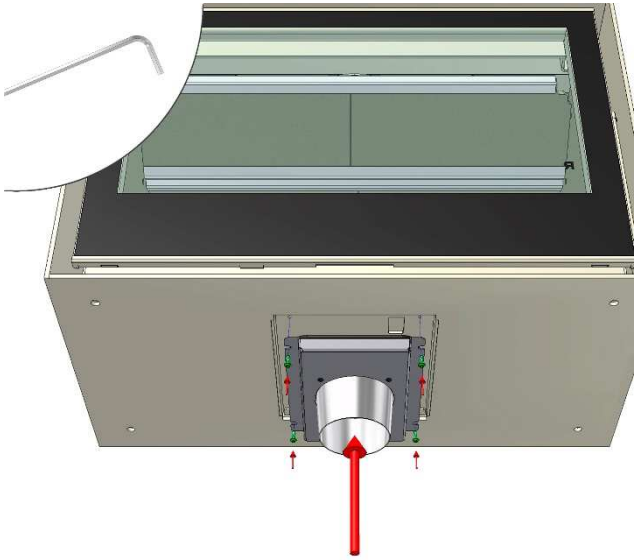


A.1

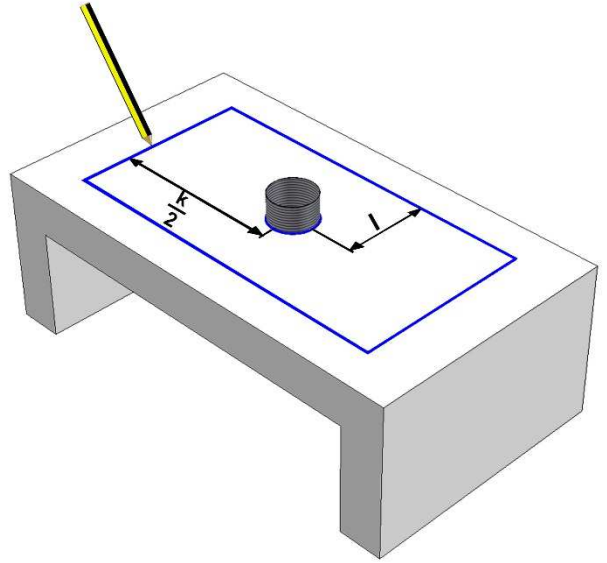


III

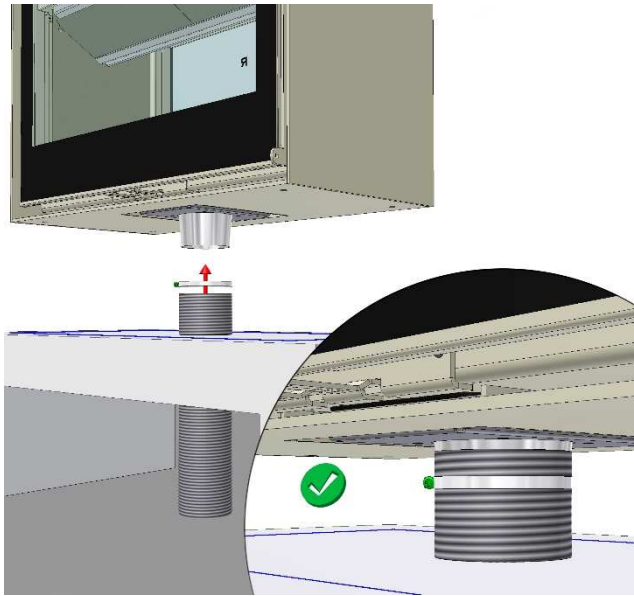
A.2



A.3



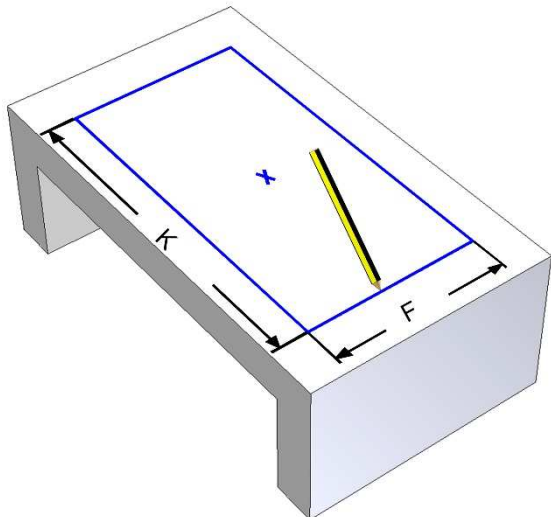
A.4



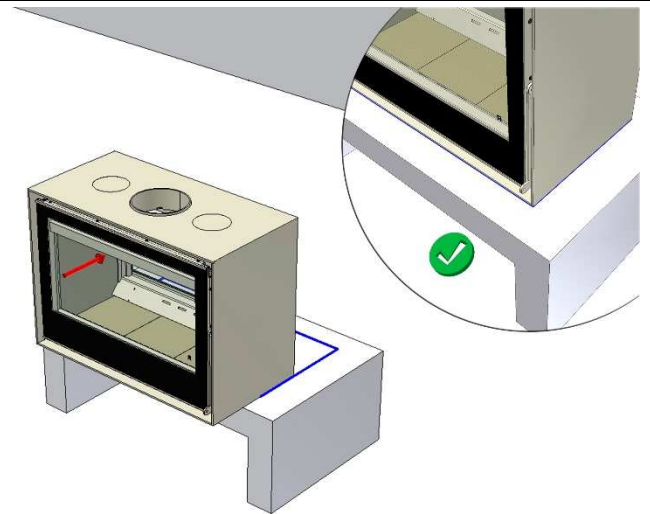
A.5



B.1

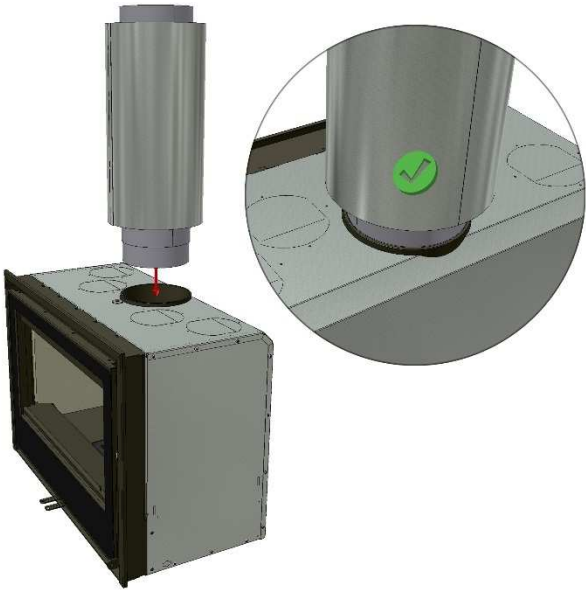


B.2

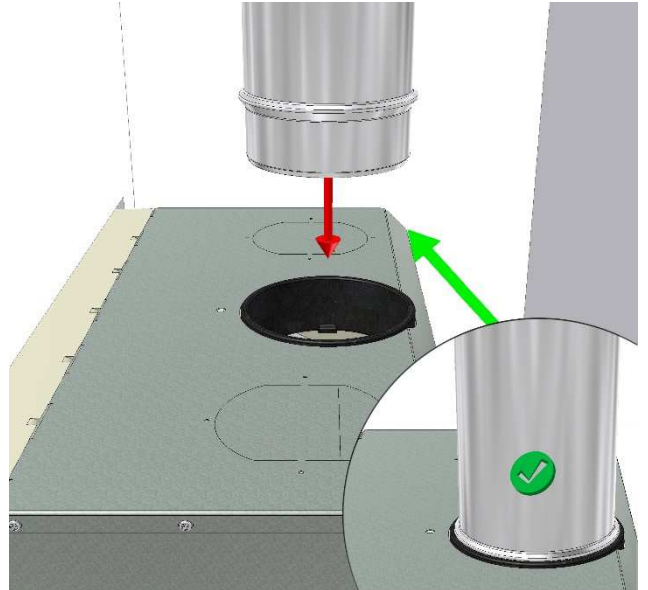


III

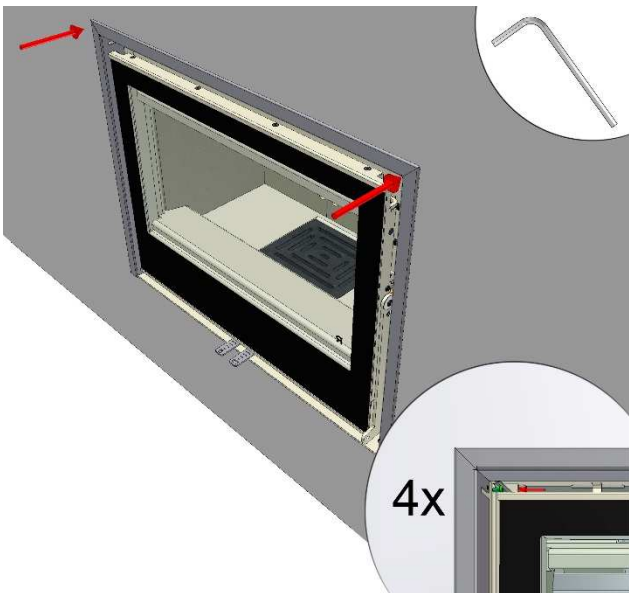
B.3 (+Plus 180)



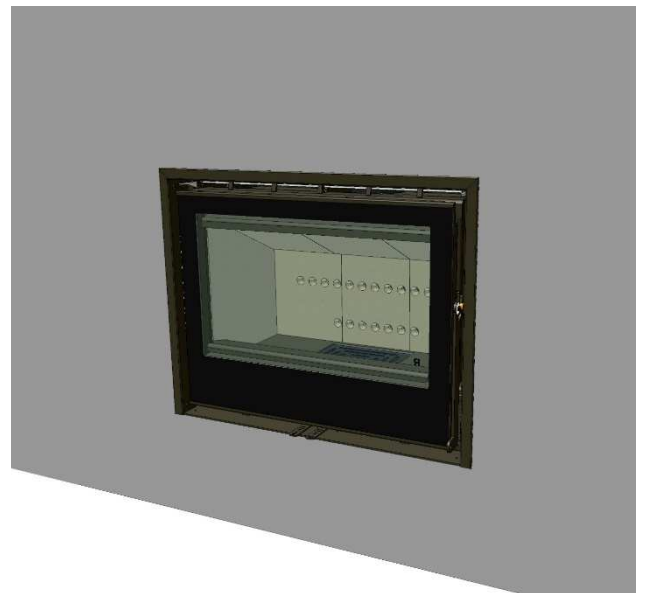
B.3



B.4

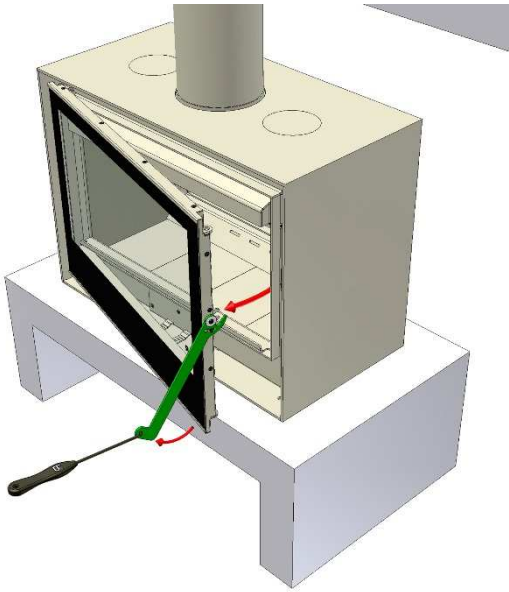


B.5

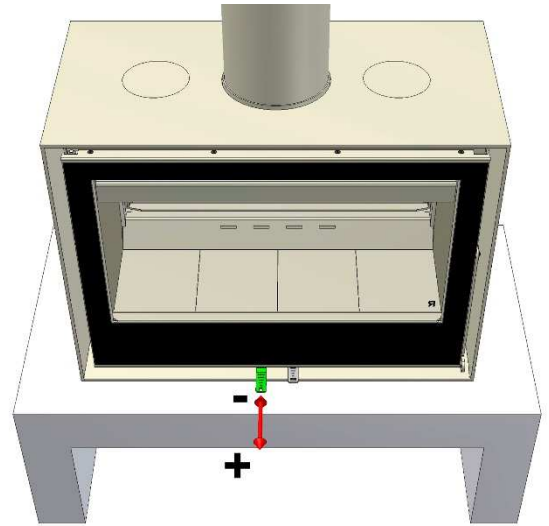


IV

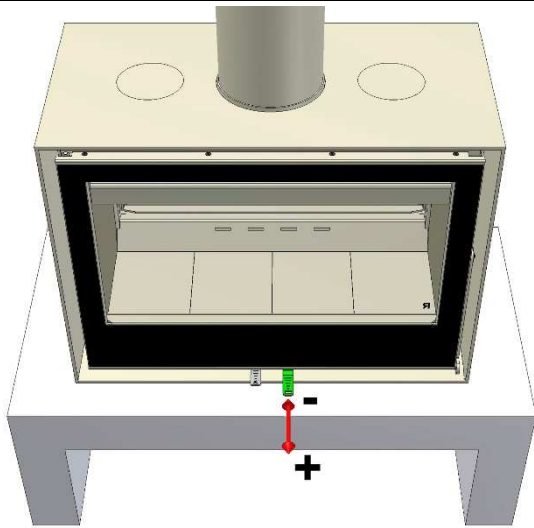
D.1



D.2



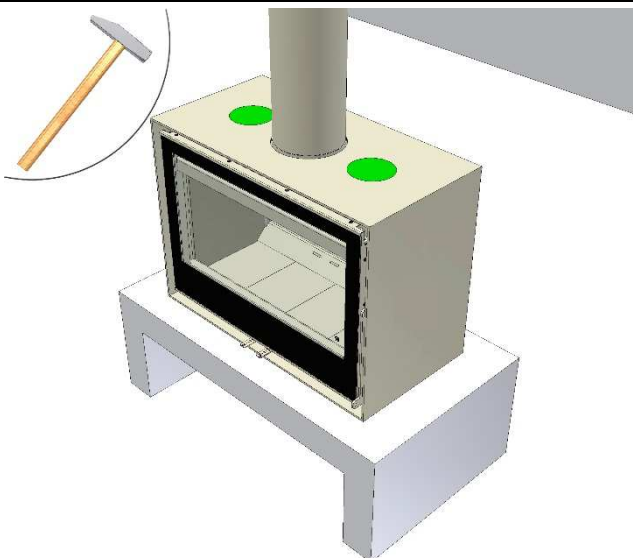
D.3



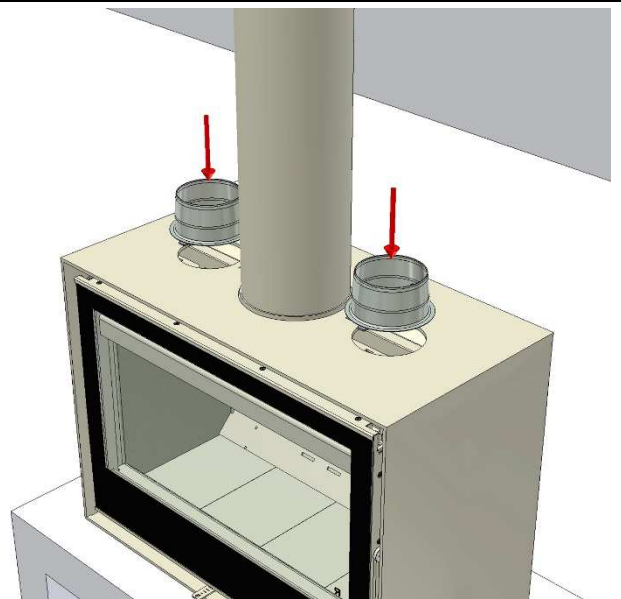
D.4



D.5

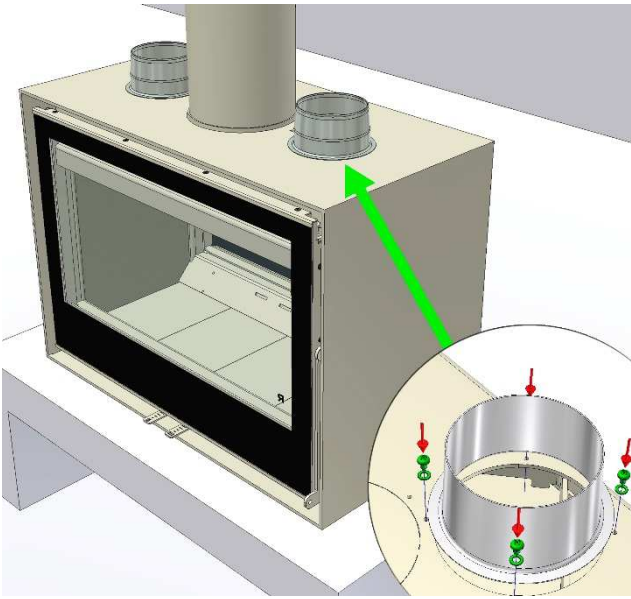


D.6

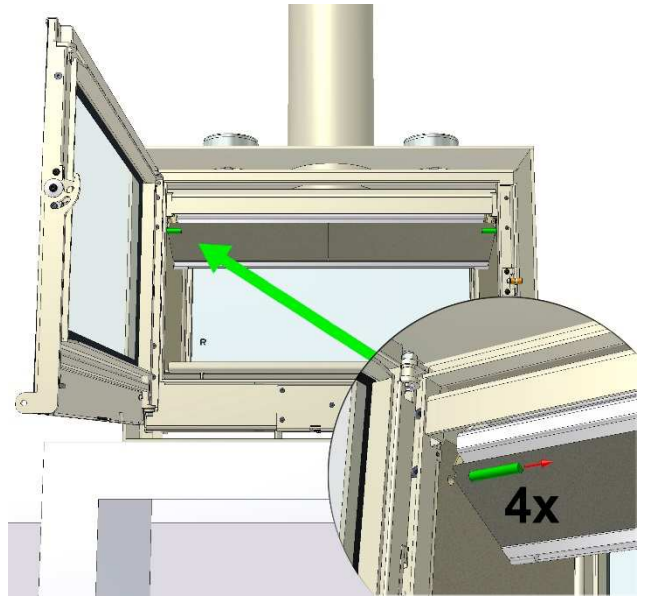


IV

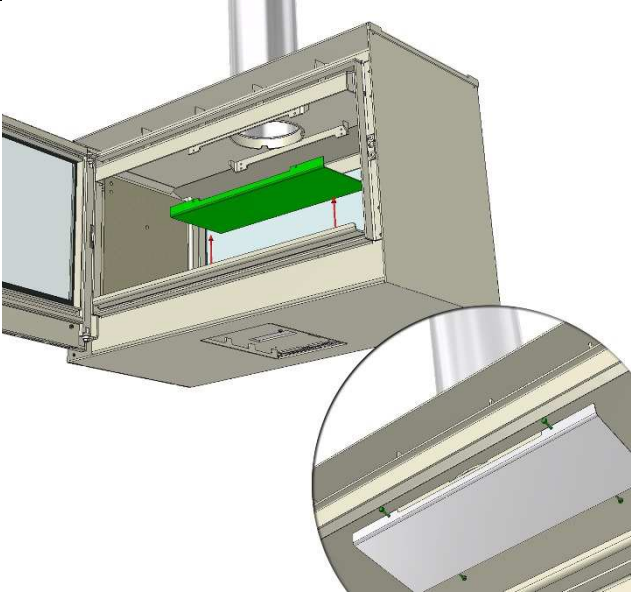
D.7



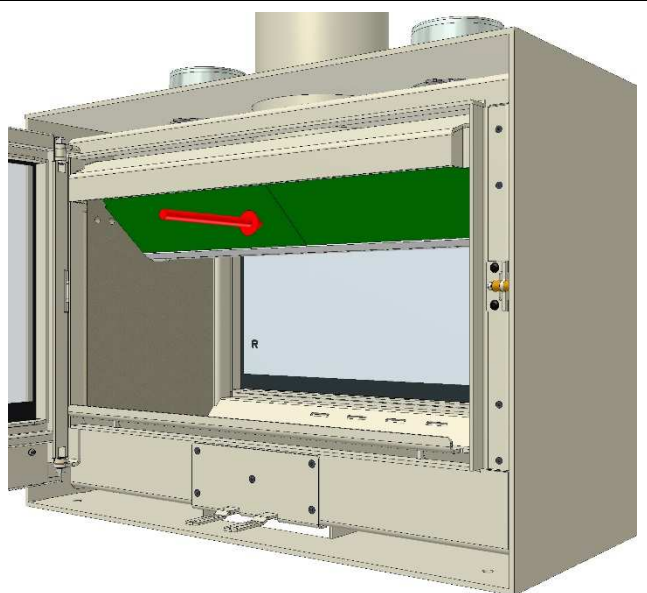
D.8



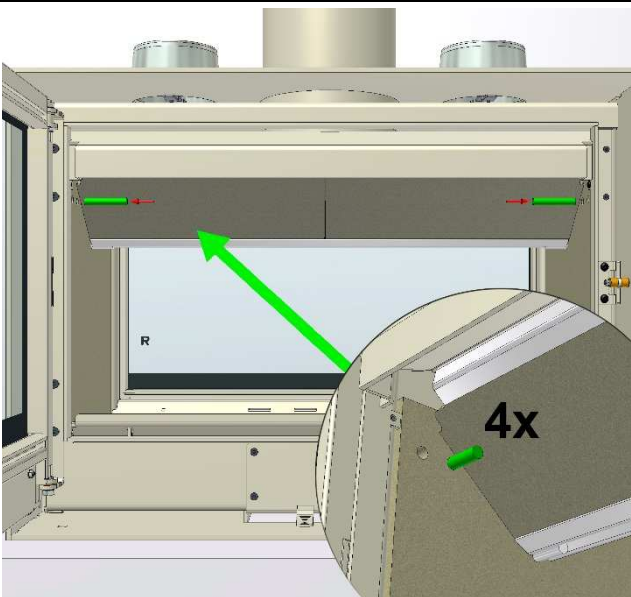
D.9



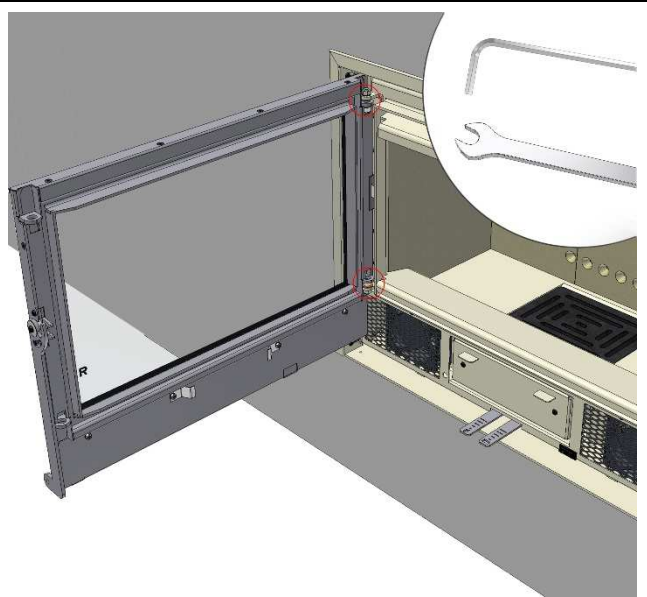
D.10



D.11

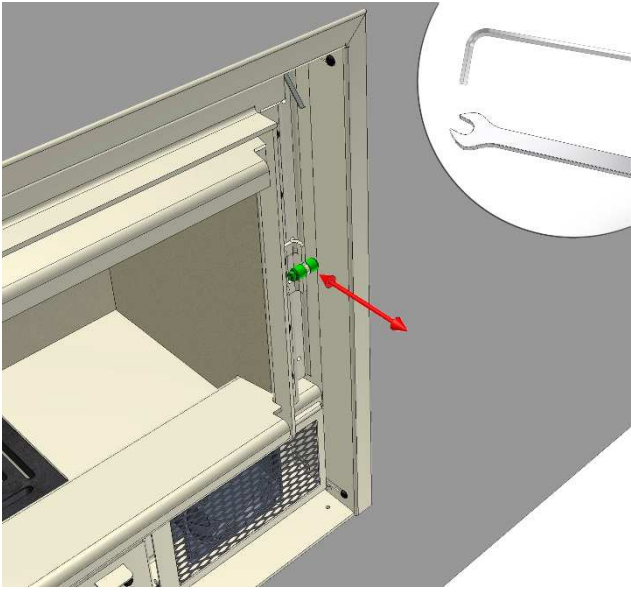


D.12

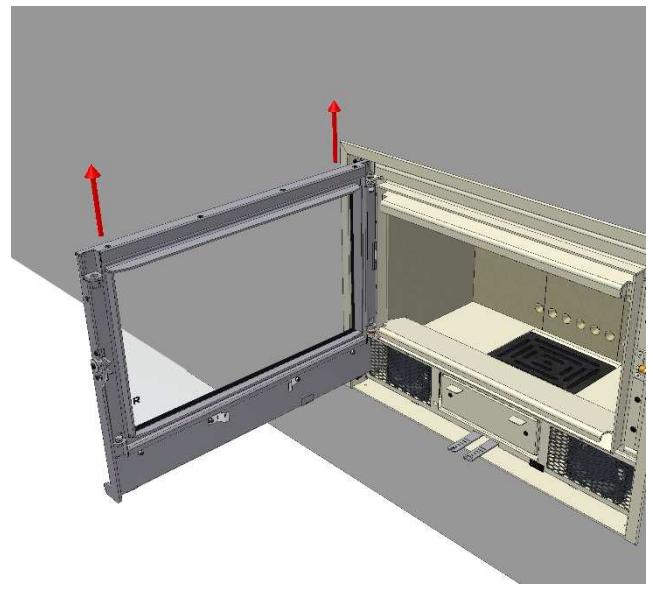


III-IV

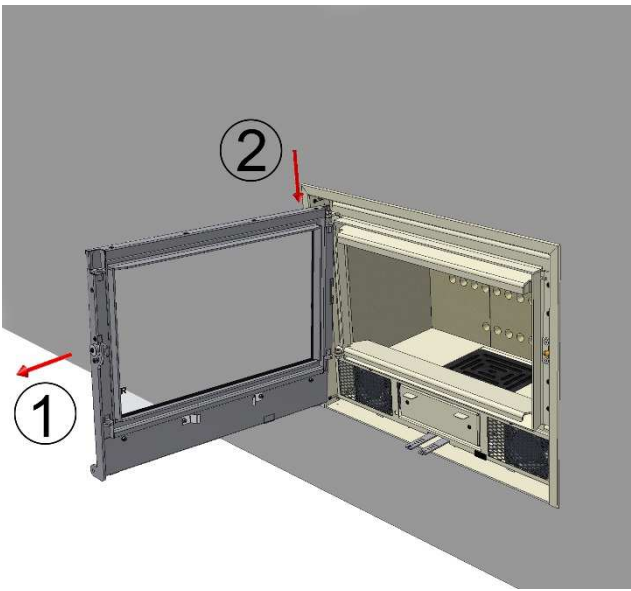
D.13



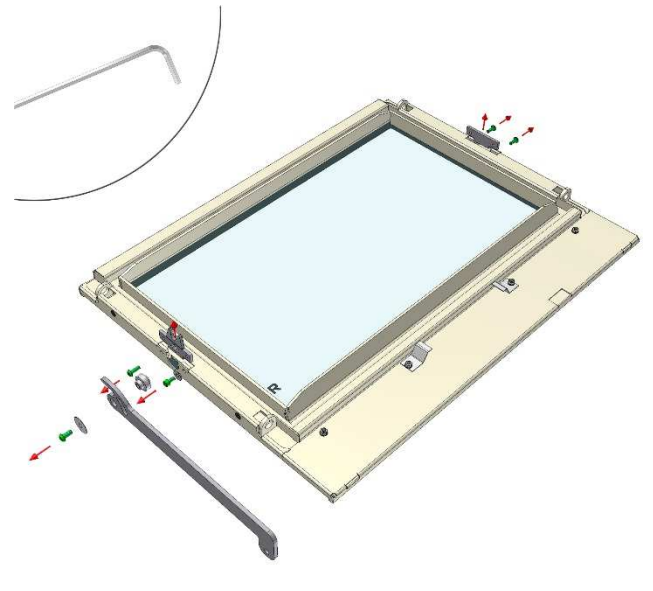
D.14



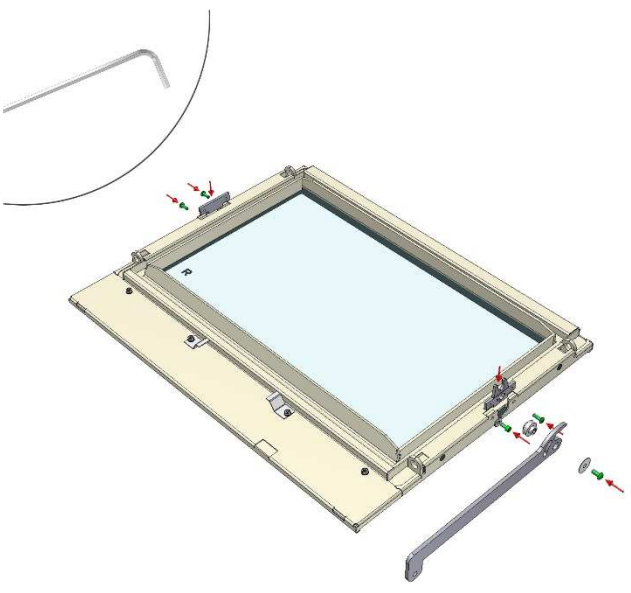
D.15



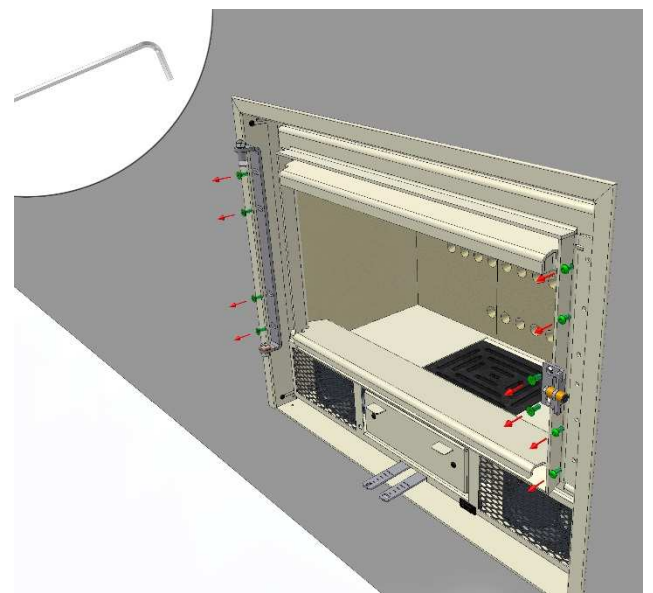
D.16



D.17

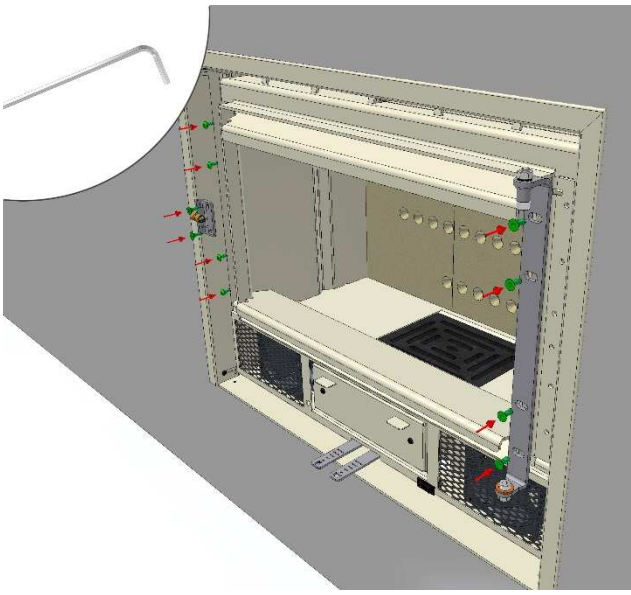


D.18

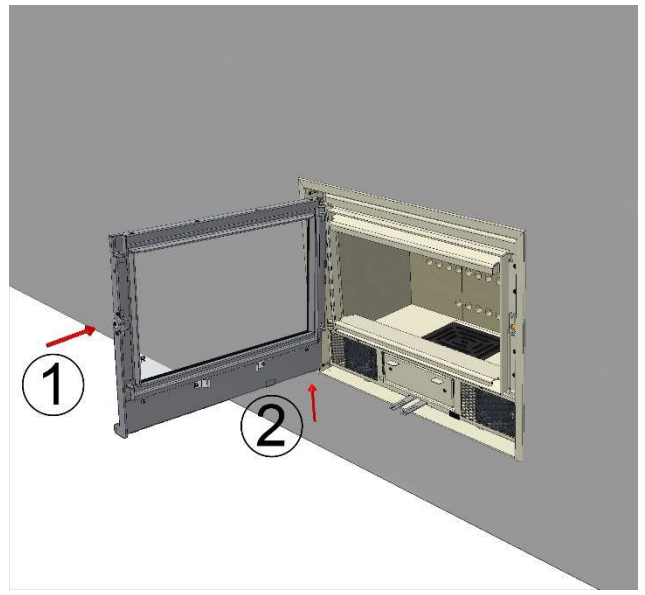


IV

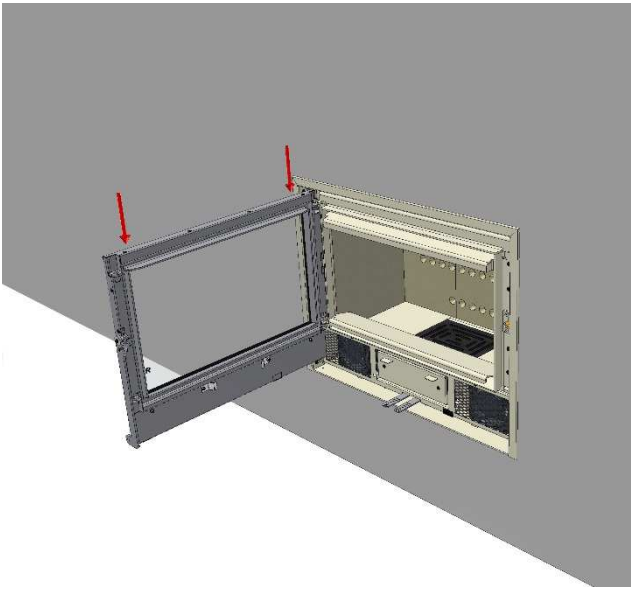
D.19



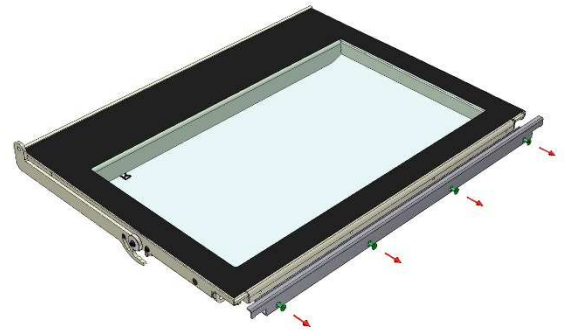
D.20



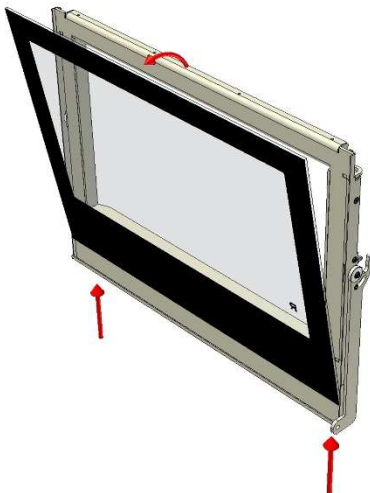
D.21



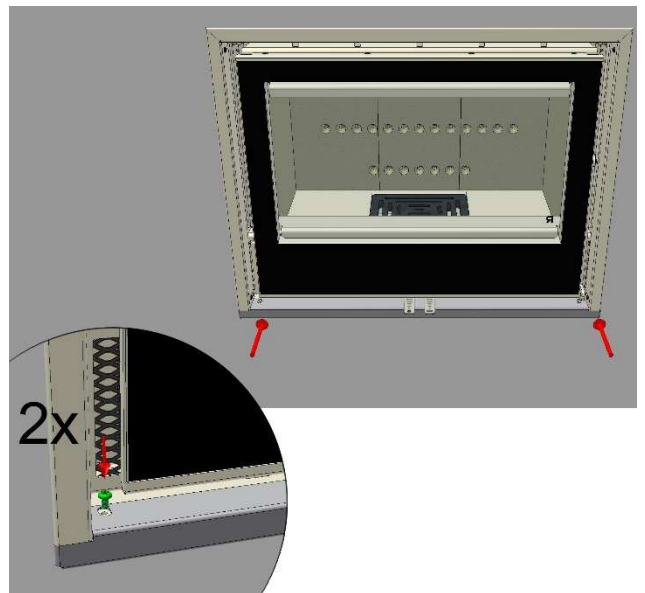
D.22



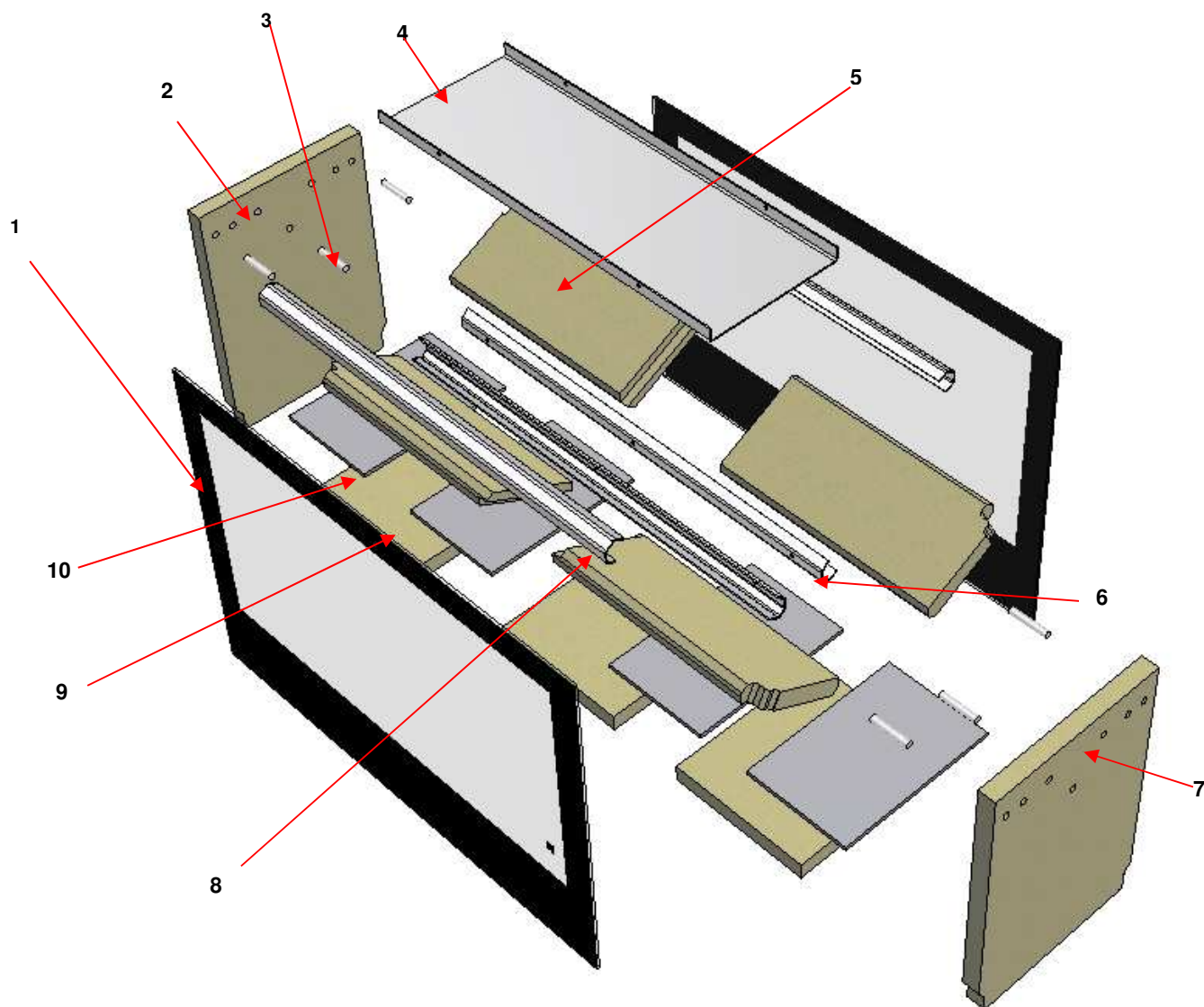
D.23



D.25



V



CODES

	ARc 50V	ARc 80	ARc 100
1	M5746-200	M5711-200	M5716-200
2	VRM5971-4	VRM5931-5	VRM5941-5
3	M5971-35	M5931-35	M5941-35
4	2*VRM5971-1	3*VRM5916-1	4*VRM5941-1
5	M5971-14	VRM5931-14	M5941-14
6	VRM5971-3	VRM5931-3	2*VRM5941-4
7	FUM5900-400	FUM5900-400	FUM5900-400
8	N/A	VRM5931-2	VRM5941-3
9	VRM5971-2	VRM5931-4	VRM5941-2
10	VRM5971-4	VRM5931-5	VRM5941-5
11	M5971-18	M5931-18	M5941-18
12	M5971-28/29	M5931-28/29	M5941-28/29
13	2*TORN123	M5711-200	2*TORN123